

PARTS MANUAL

03. TRANSMISSION

REAR AXLE (1)

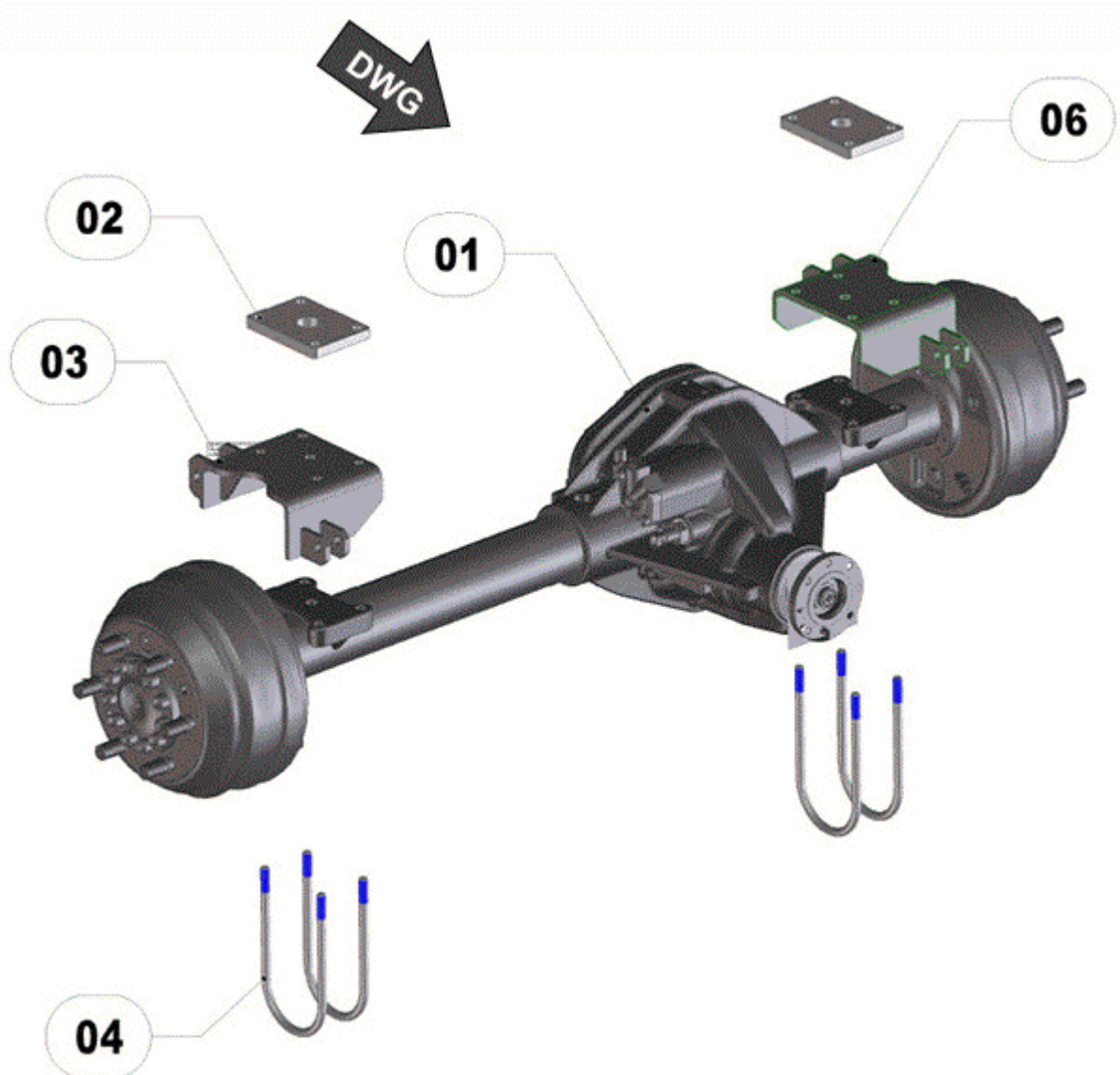


FIGURE	REFERENCE	DENOMINATION	AMOUNT
001	46.03030.02		1
002	15.03145.00	AXLE SUPPORT	2
003	46.30045.01	ARTICULATED SUPPORT 8X168X177	1
004	46.03267.00	ROD. M12 ABARCON	4
006	46.30046.01	ARTICULATED SUPPORT 8X168X177	1

03. TRANSMISSION REAR AXLE (2)

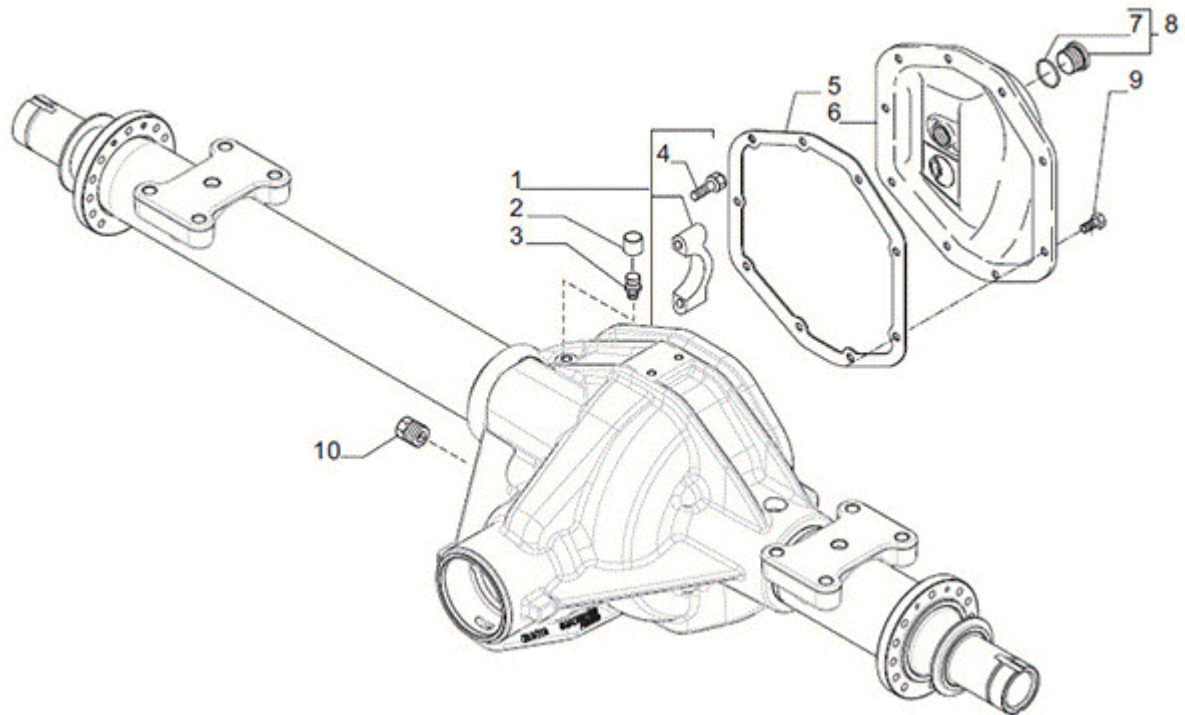


FIGURE	REFERENCE	DENOMINATION	AMOUNT
001	CR368739	AXLE HOUSING	1
002	CR130532	PROTECTION COVER	1
003	CR104988	BREATHER M10x1	1
004	CR126022	BOLT M12X70	4
005	CR136201	GASKET	1
006	CR136200	COVER	1
007	CR028113	O RING	1
008	CR066725	PLUG KIT M24X1.5	1
009	CR021391	BOLT M8X12	12
010	CR092270	PLUG M22X1.5	1

03. TRANSMISSION

REAR AXLE (3)

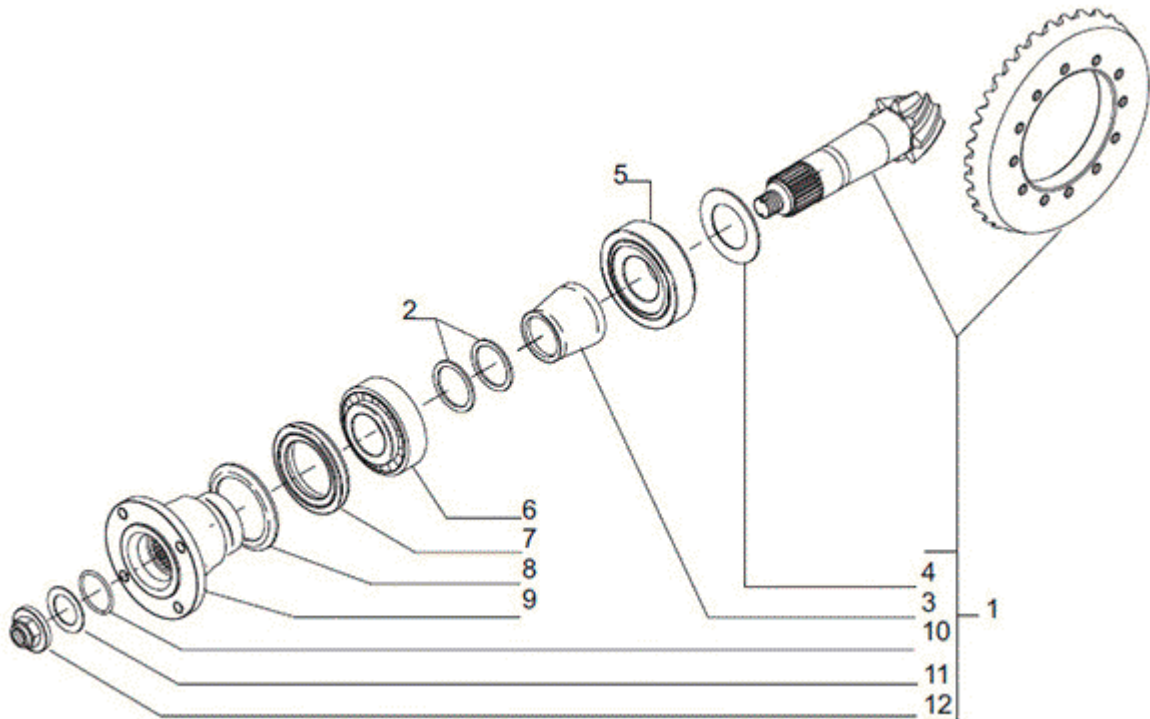


FIGURE	REFERENCE	DENOMINATION	AMOUNT
001	CR066897	BEVEL GEAR SET Z=8/47	1
002	CR068692	SHIM KIT	1
003	CR136217	SPACER	1
004	CR068694	SHIM KIT	1
005	cr145578	BEARING	1
006	CR027350	BEARING	1
007	CR135955	SEAL RING	1
008	CR139715	COVER	1
009	CR149576	FLANGE	1
010	CR028125	O RING	1
011	CR136205	THRUST WASHER	1
012	CR133548	RING NUT M24X1.5	1

03. TRANSMISSION REAR AXLE (4)

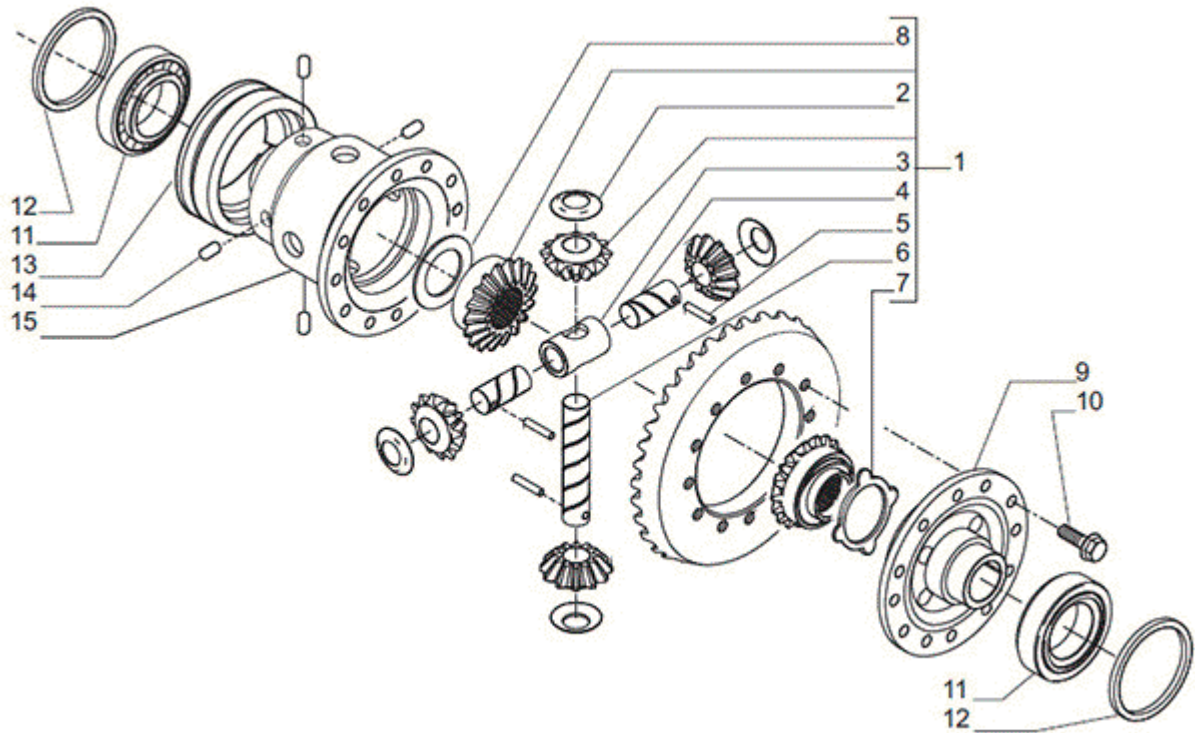


FIGURE	REFERENCE	DENOMINATION	AMOUNT
001	CR066733	DIFERENTIAL KID	1
002	CR133606	THRUST WASHER	4
003	CR136195	SPIDER	1
004	CR136193	SHORT PIN	2
005	CR024470	PIN 6X32	3
006	CR136194	LONG PIN	1
007	CR133607	THRUST WASHER	1
008	CR137334	THRUST WASHER	1
009	CR136192	DIFF. HOUSING COVER	1
010	CR136199	BOLT M14X33	12
011	CR027256	BEARING	2
012	CR134199	SHIM 4.50 MM	1
012	CR134200	SHIM 4.60 MM	1
012	CR134201	SHIM 4.70 MM	1
012	CR134202	SHIM 4.80 MM	1
012	CR134203	SHIM 4.90 MM	1
012	CR134204	SHIM 5.00 MM	1
012	CR134205	SHIM 5.10 MM	1
012	CR134206	SHIM 5.20 MM	1
012	CR134207	SHIM 5.30 MM	1
012	CR134208	SHIM 5.40 MM	1

013	CR138223	SLEEVE	1
014	CR138224	PIN	8
015	CR140973	DIFFERENTIAL HOUSING	1

03. TRANSMISSION

REAR AXLE (5)

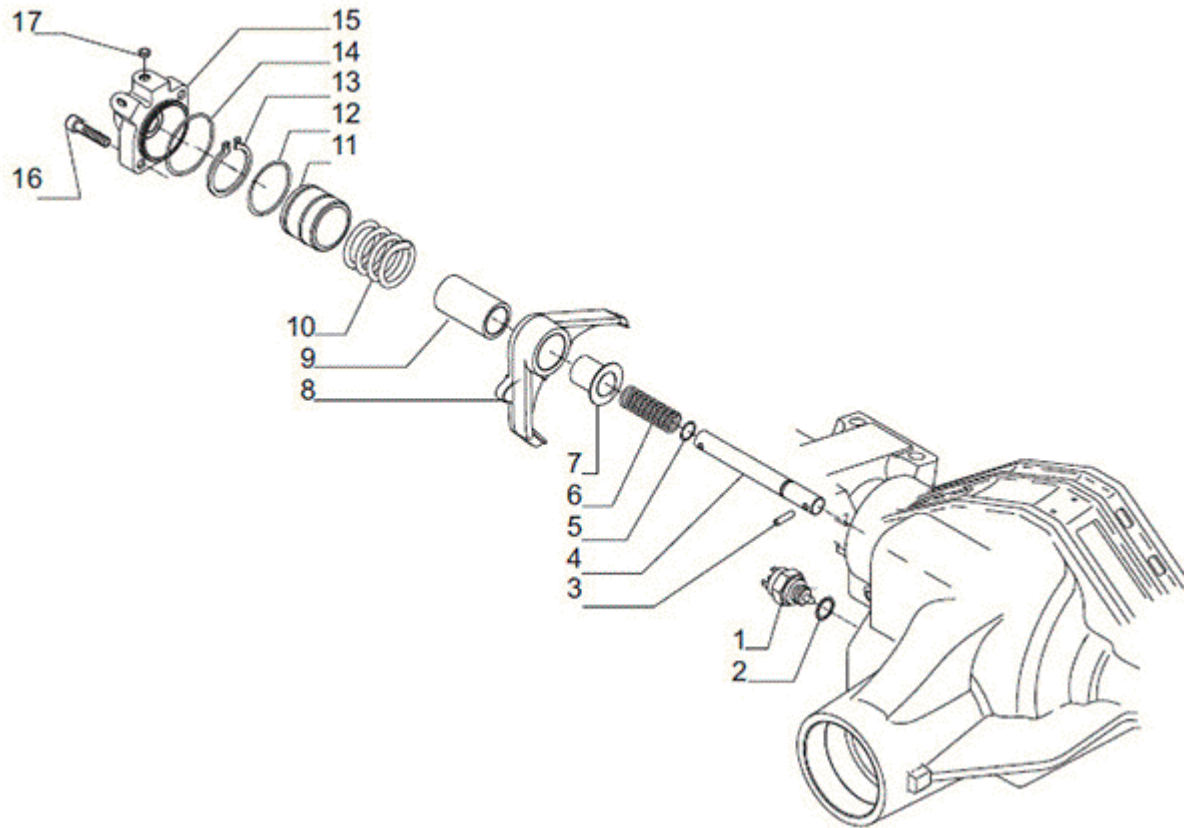


FIGURE	REFERENCE	DENOMINATION	AMOUNT
001	CR357452	SWITCH	1
002	CR023281	WASHER	1
003	CR024444	PIN D6X30	1
004	CR135460	PIN	1
005	CR028534	O.RING	1
006	CR128777	SPRING	1
007	CR129113	BUSH	1
008	CR136198	FORK	1
009	CR135459	BUSH	1
010	CR129114	PISTON	1
011	CR129110	PISTON	1
012	CR028161	O.RING	1
013	CR025037	SNAP RING	1
014	CR028644	OR RING	1
015	CR135681	COVER	1
016	CR021394	SCREW	2
017	CR030752	PLUG	1

03. TRANSMISSION

REAR AXLE (6)

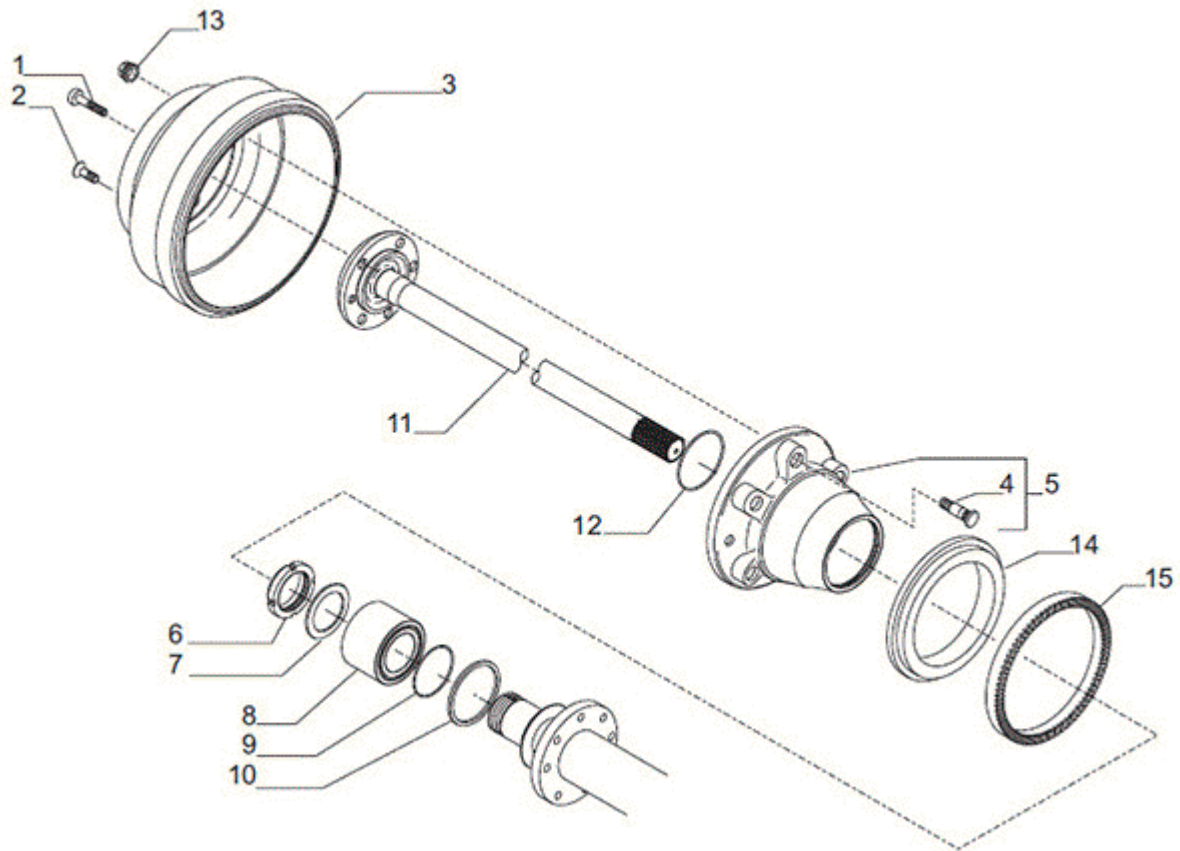


FIGURE	REFERENCE	DENOMINATION	AMOUNT
001	CR021710	BOLT M14X35	22
002	CR020510	BOLT M12X25	2
003	CR137270	BRAKE DRUM	2
004	CR132408	STUD BOLT M18X1.5X75	12
005	CR068402	WHEEL HUB ASSY	2
006	CR136248	RING NUT M55X1,5	2
007	CR136249	WASHER	2
008	CR136247	BEARING	2
009	CR028566	O RING	2
010	CR024936	SNAP RING D90X4	2
011	CR149574	LONG HALF SHAFT	2
011	CR149574	LONG HALF SHAFT	2
012	CR028212	O RING	2
013	CR146820	NUT	12
014	CR147774	PHONIC WHEEL SUPPORT	2
015	CR137169	PHONIC WHEEL	2

03. TRANSMISSION

REAR AXLE (7)

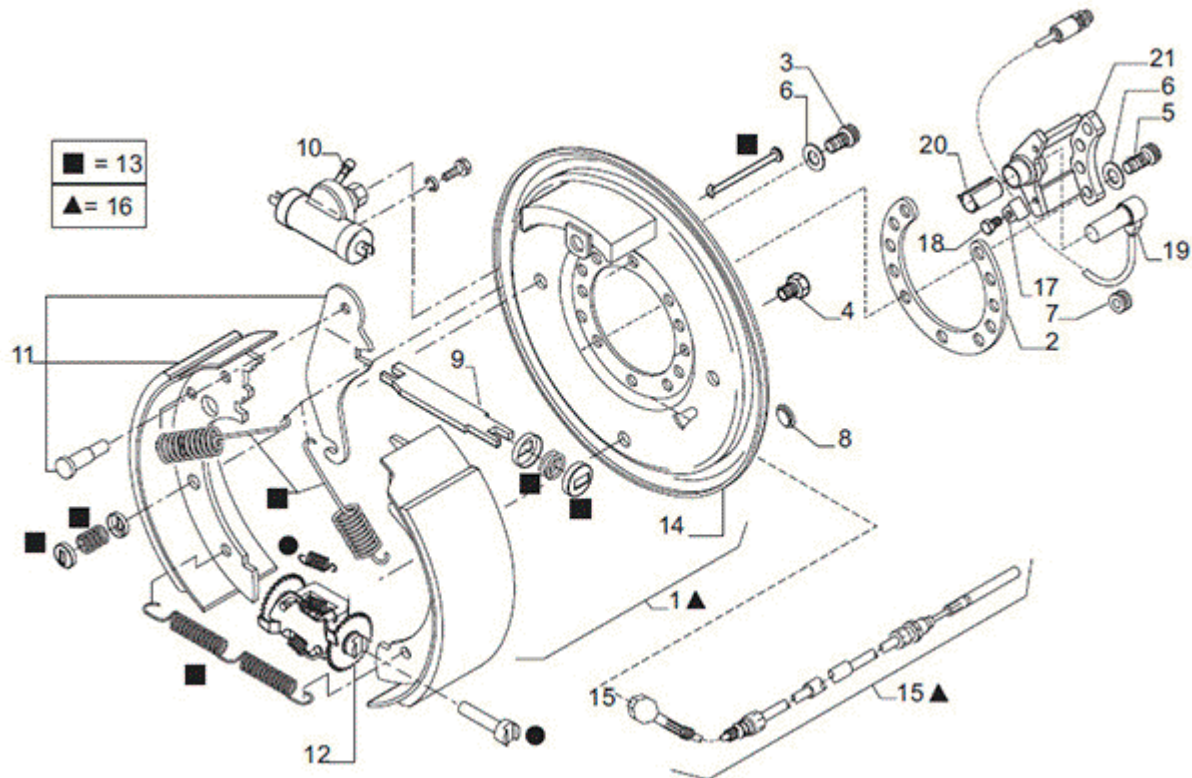


FIGURE	REFERENCE	DENOMINATION	AMOUNT
001	CR358499	RH BRAKE	1
001	CR358500	LH BRAKE	1
002	CR144049	FLANGE	2
003	CR137300	BOLT M10X25	2
004	CR137198	BOLT M10X20	14
005	CR021692	BOLT M10X30	8
006	CR023038	WASHER	10
007	CR148136	FAIR-LEAD	2
008	CR049258	PLUG	2
009	CR049265	LEVER	1
010	CR049266	BRAKE CYLINDER	1
011	CR048488	REPAIR SET OF BRAKE SHOE (Both sides)	2
012	CR048489	ADJUSTMEN DEVICE	4
013	CR049269	SPRING KIT	1
014	CR048487	RH BRAKE BACK PLATE	1
014	CR048486	LH BRAKE BACK PLATE	1
015	CR368427	HANDBRAKE CABLE 1540mm	2
016	CR358497	RH BRAKE WITH HANDBRAKE CABLE	1
016	CR358498	LH BRAKE WITH HANDBRAKE CABLE	1
017	CR132344	CLAMP	2
018	CR020742	BOLT M6X8	2

019	CR137168	SENSOR	2
020	CR137167	BUSH	2
021	CR147772	SENSOR SUPPORT	2

03. TRANSMISSION

FRONT AXLE (1)

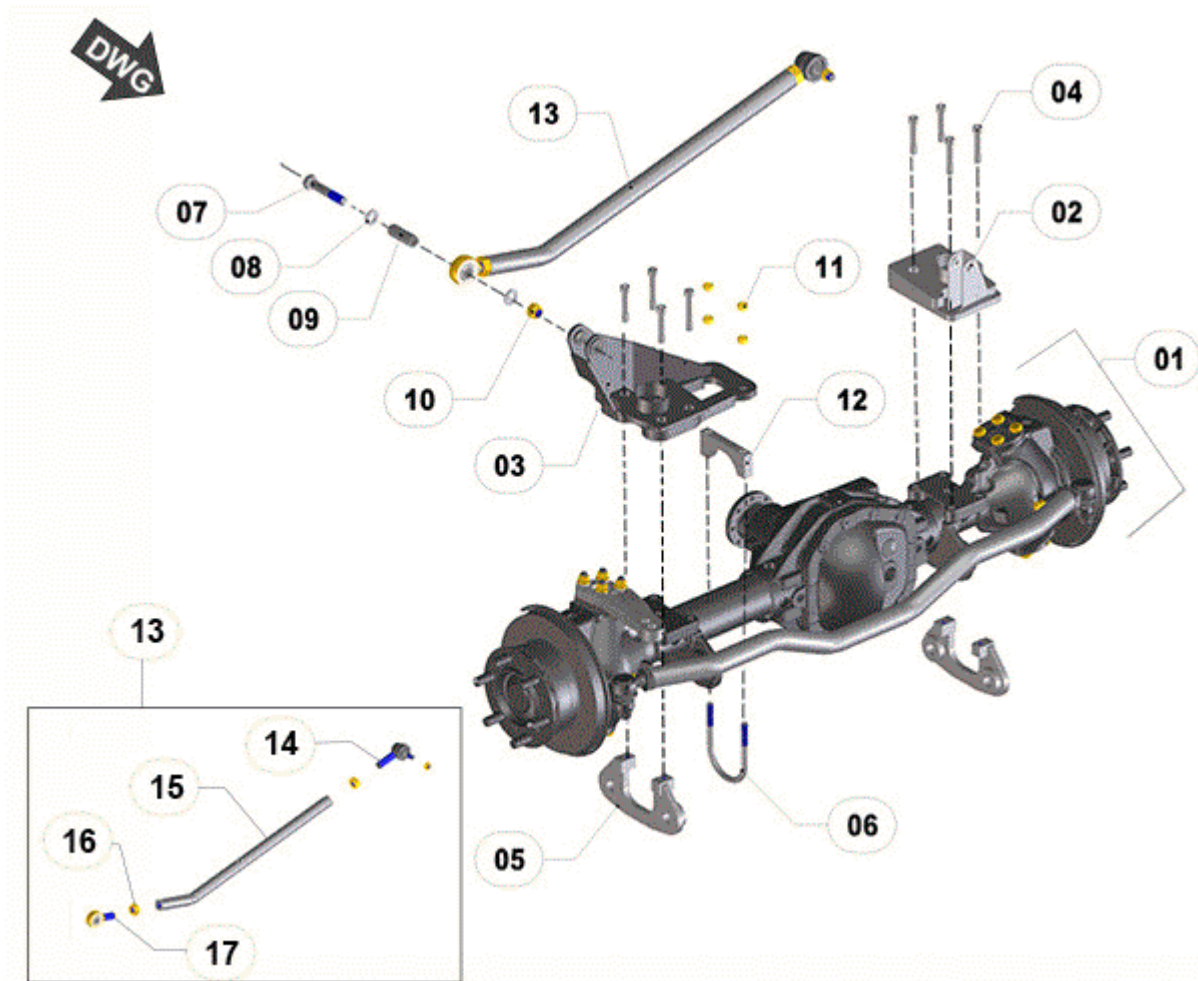


FIGURE	REFERENCE	DENOMINATION	AMOUNT
001	46.03040.02		1
002	46.03244.04	SHAFT SUPPORT 140X141X200	1
003	46.03440.04		1
004	601.12070.86		8
005	46.03329.00	SHAFT SUPPORT 111X33X264	2
006	02.00184.00	Foru D106 FLANGE	1
007	604.18100.86	BOLT DIN931 M18x100	1
008	101.18000.66	BEARING DIN125 D18	2
009	46.03450.00	CAP Ø18.5xØ25x70	1
010	711.18000.66	NUT DIN982 M18	1
011	01.01305.00	NUT	4
012	01.00183.00	TRUMPET 20X64X137 SUPPLEMENT	1
013	46.04331.02	PANHAR 935X96XD40	1
014	16.01023.00	L BALL	1
015	46.04339.01	BAR	1
016	01.01317.00	NUT	1



017

46.06018.00

L BALL

1

03. TRANSMISSION FRONT AXLE (2)

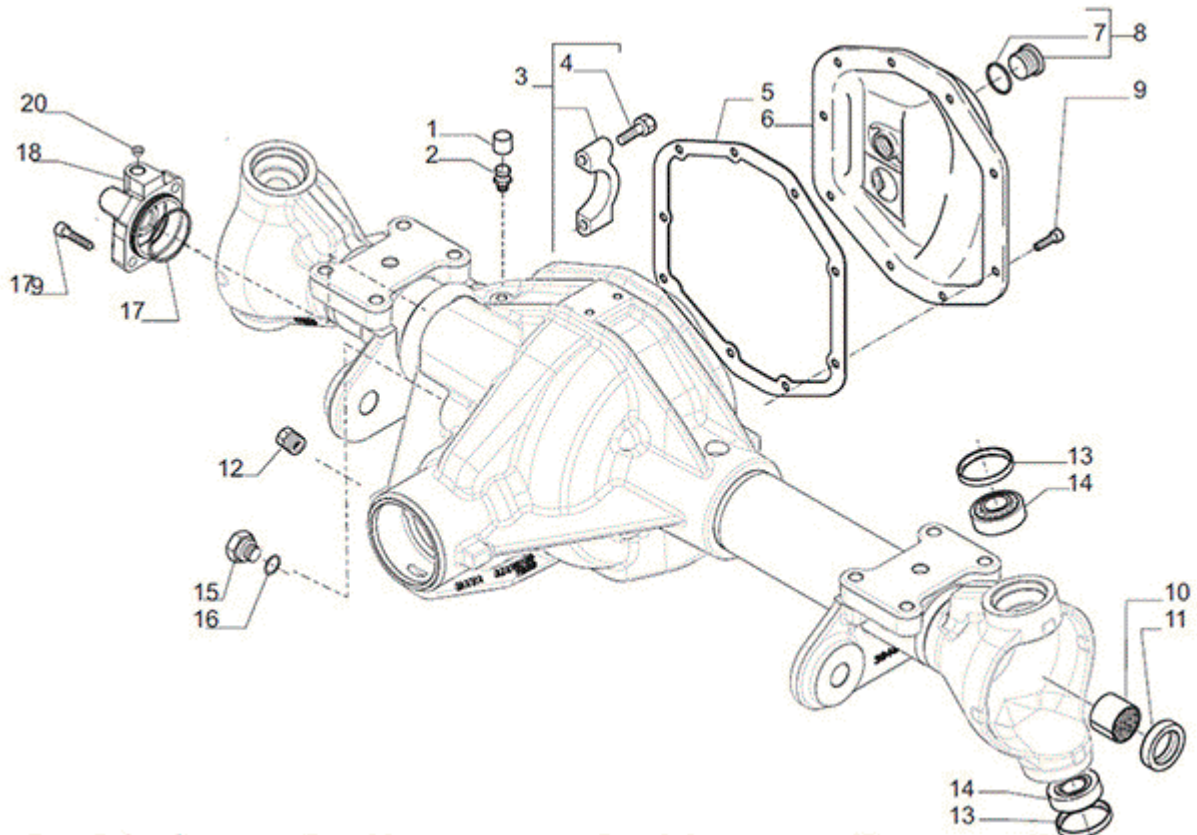


FIGURE	REFERENCE	DENOMINATION	AMOUNT
001	CR130532	PROTECTION COVER	1
002	CR104988	BREATHER M10x1	1
003	cr368395	axle housing	1
004	CR126022	BOLT M12X70	4
005	CR136201	GASKET	1
006	CR136200	COVER	1
007	CR028113	O RING	1
008	CR066725	PLUG KIT M24X1.5	1
009	CR021391	BOLT M8X12	12
010	cr118547	bush	2
011	cr116723	seal ring	2
012	CR092270	PLUG M22X1.5	1
013	CR025494	RING 50X56X7	4
014	CR027266	BEARING	4
015	cr021052	screw m16x20	1
016	CR023281	WASHER	1
017	CR028644	OR RING	1
018	CR135681	COVER	1
019	CR021394	SCREW	2
020	cr021564	plug	1

03. TRANSMISSION FRONT AXLE (3)

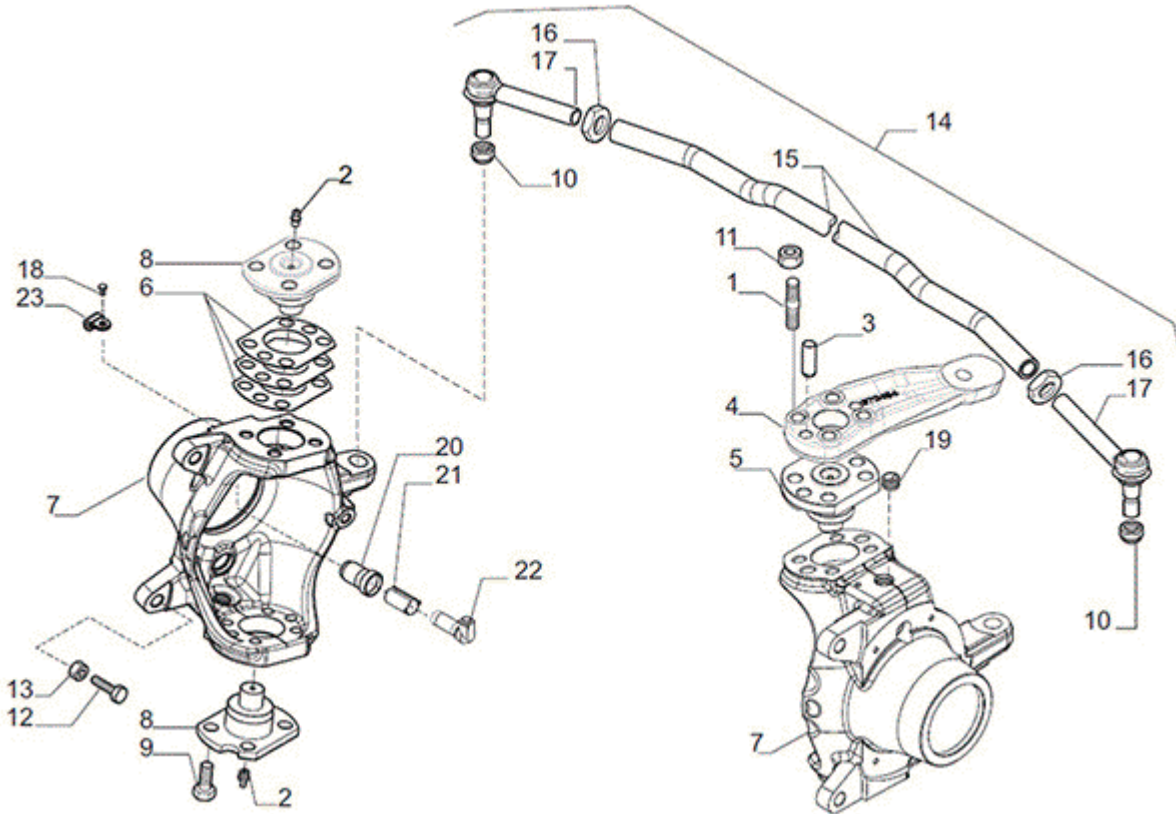


FIGURE	REFERENCE	DENOMINATION	AMOUNT
001	CR358170	STUD	4
002	CR024210	GREASER NIPPLE M6X1	4
003	CR358194	PIN D14X55	2
004	cr372455	steering arm	1
005	CR143659	KING PIN	1
006	CR133139	SHIM 0.10 MM	0
006	CR133140	SHIM 0.19 MM	0
006	CR133141	SHIM 0.35 MM	0
007	CR382263	RH SWIVEL HOUSING	1
007	CR382262	LH SWIVEL HOUSING	1
008	CR136276	KING PIN	3
009	CR131829	BOLT M14X30	12
010	CR022440	NUT M16X1.5	2
011	CR148567	NUT M14X1.5	4
012	CR117437	BOLT M12X40	2
013	CR022123	NUT M12	2
014	CR374975	ROAD ASSY	1
015	CR374974	ROD	1
016	CR352324	NUT M28X1.5	2
017	CR341464	BALL JOINT	4

017	CR341464	BALL JOINT	2
018	CR020742	BOLT M6X8	2
019	CR148136	FAIR-LEAD	2
020	CR149747	BUSH	2
021	CR137167	BUSH	2
022	CR137168	SENSOR	2
023	CR132344	CLAMP	2

03. TRANSMISSION

FRONT AXLE (4)

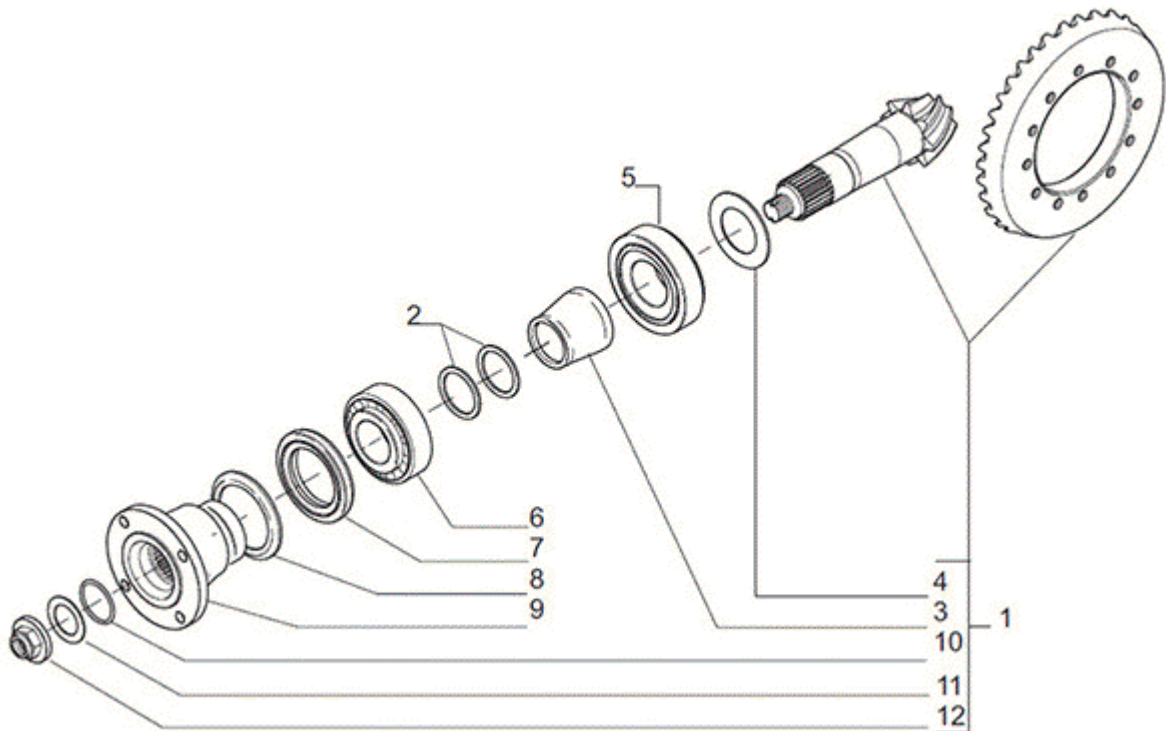


FIGURE	REFERENCE	DENOMINATION	AMOUNT
001	CR066897	BEVEL GEAR SET Z=8/47	1
002	CR068692	SHIM KIT	1
002	CR136218	SHIM 2.50 MM	0
002	CR136219	SHIM 2.52 MM	0
002	CR136220	SHIM 2.54 MM	0
002	CR136221	SHIM 2.56 MM	0
002	CR136222	SHIM 2.58 MM	0
002	CR136223	SHIM 2.60 MM	0
002	CR136224	SHIM 2.70 MM	0
002	CR136225	SHIM 2.80 MM	0
002	CR136226	SHIM 2.90 MM	0
002	CR136227	SHIM 3.00 MM	0
002	CR136228	SHIM 3.10 MM	0
002	CR136229	SHIM 3.20 MM	0
003	CR136217	SPACER	1
004	CR068694	SHIM KIT	1
004	CR127041	SHIM 2.50 MM	0
004	CR127042	SHIM 2.60 MM	0
004	CR127043	SHIM 2.70 MM	0
004	CR127044	SHIM 2.80 MM	0
004	CR127045	SHIM 2.90 MM	0

004	CR127046	SHIM 3.00 MM	0
004	CR127047	SHIM 3.10 MM	0
004	CR127048	SHIM 3.20 MM	0
004	CR127049	SHIM 3.30 MM	0
004	CR127050	SHIM 3.40 MM	0
005	cr145578	BEARING	1
006	CR027350	BEARING	1
007	CR135955	SEAL RING	1
008	CR139715	COVER	1
009	CR149576	FLANGE	1
010	CR028125	O.RING	1
011	CR136205	THRUST WASHER	1
012	CR133548	RING NUT M24X1.5	1

03. TRANSMISSION FRONT AXLE (5)

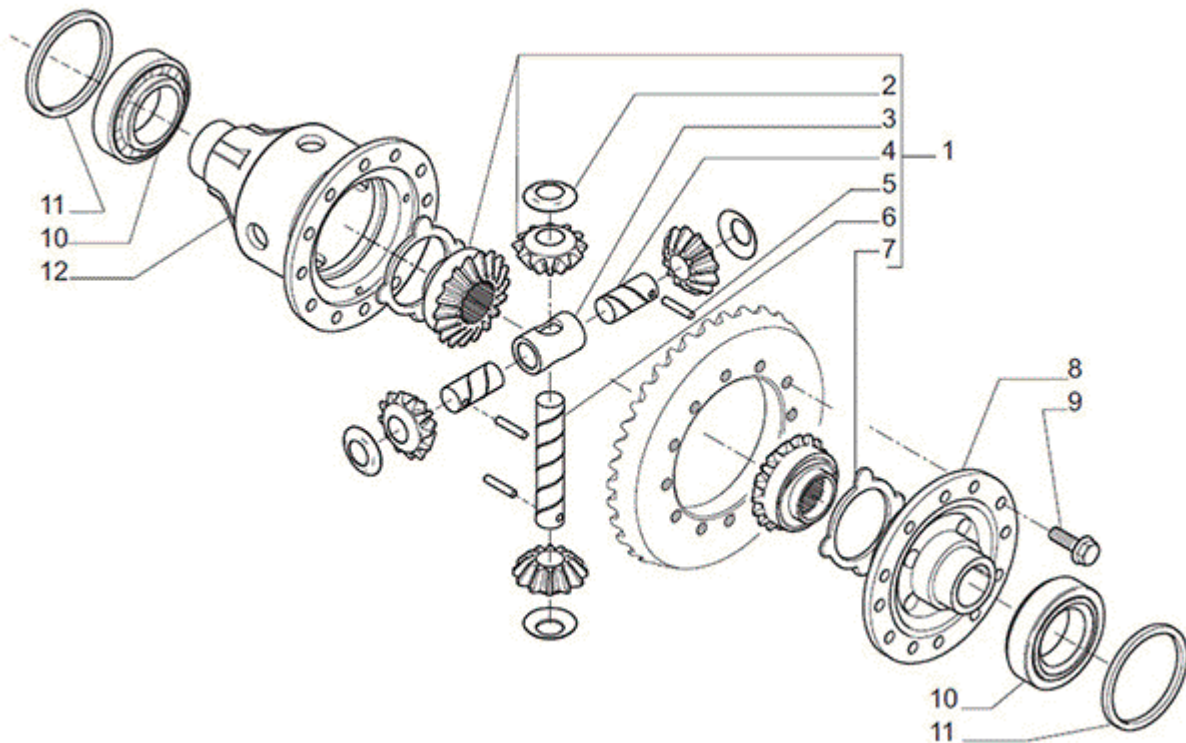


FIGURE	REFERENCE	DENOMINATION	AMOUNT
001	CR066727	DIFFERENTIAL KIT	1
002	CR133606	THRUST WASHER	4
003	CR136195	SPIDER	1
004	CR136193	SHORT PIN	2
005	CR024470	PIN 6X32	3
006	CR136194	LONG PIN	1
007	CR133607	THRUST WASHER	2
008	CR136192	DIFF. HOUSING COVER	1
009	CR136199	BOLT M14X33	12
010	CR027256	BEARING	2
011	CR134199	SHIM 4.50 MM	0
011	CR134200	SHIM 4.60 MM	0
011	CR134201	SHIM 4.70 MM	0
011	CR134202	SHIM 4.80 MM	0
011	CR134203	SHIM 4.90 MM	0
011	CR134204	SHIM 5.00 MM	0
011	CR134205	SHIM 5.10 MM	0
011	CR134206	SHIM 5.20 MM	0
011	CR134207	SHIM 5.30 MM	0
011	CR134208	SHIM 5.40 MM	0



012 CR137271

DIFFERENTIAL HOUSING

1

03. TRANSMISSION FRONT AXLE (6)

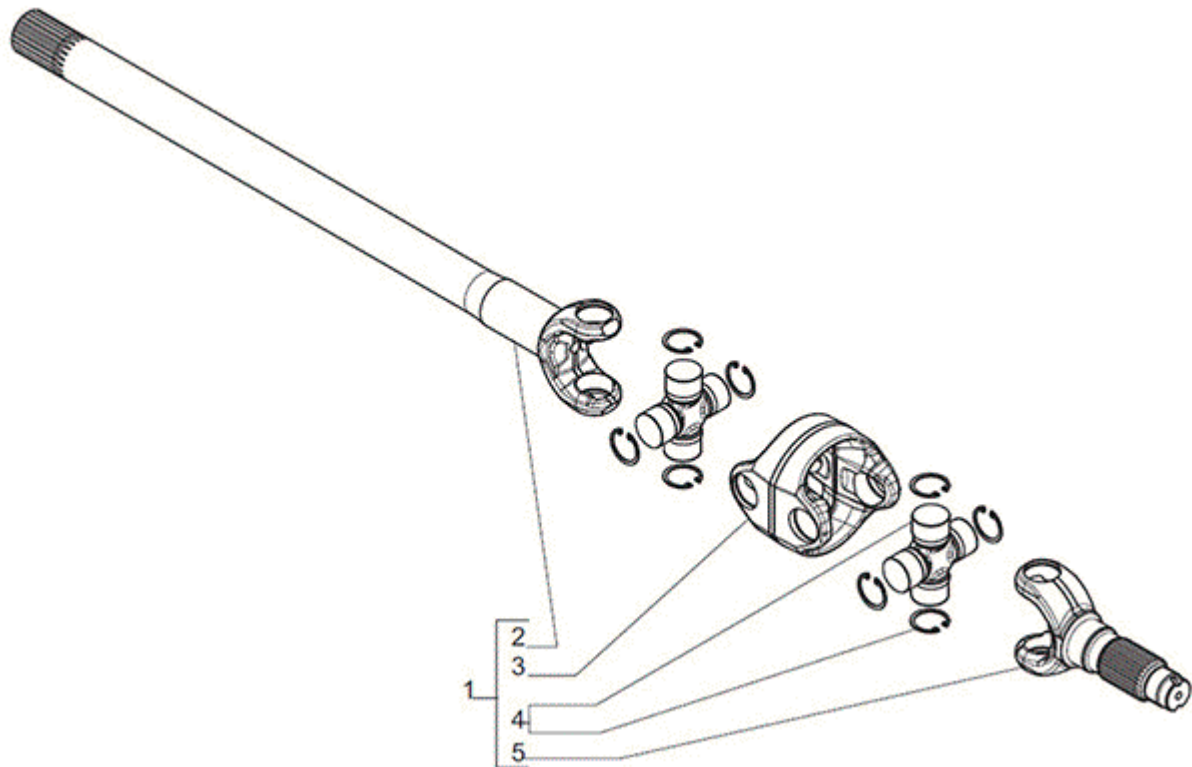


FIGURE	REFERENCE	DENOMINATION	AMOUNT
001	cr368399	double joint	1
001	cr368859	double joint	1
002	cr045250	fork	1
002	cr045251	fork	1
003	CR040777	CENTRAL BODY	2
004	CR040837	SPIDER	4
005	CR040927	FORK (WHEEL SIDE)	2

03. TRANSMISSION FRONT AXLE (7)

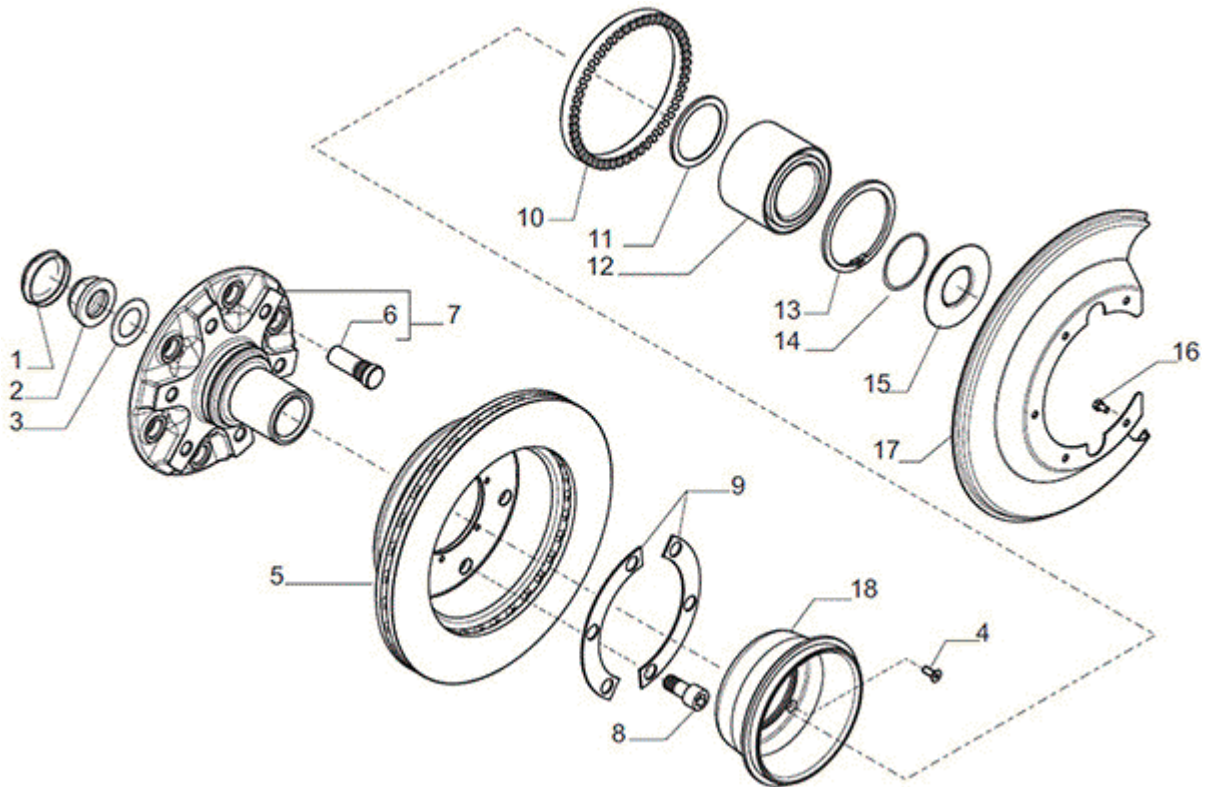


FIGURE	REFERENCE	DENOMINATION	AMOUNT
001	CR121607	PLUG	2
002	CR135938	RING NUT M30X1.5	2
003	CR135939	THRUST WASHER	2
004	CR020485	BOLT M6X16	12
005	CR338920	BRAKE DISC	2
005	CR338920	BRAKE DISC	2
006	CR136658	STUD BOLT M18X1.5	12
007	CR066896	WHEEL HUB KIT	2
008	CR021693	BOLT M14X30	12
009	CR137299	FLANGE ON BRAKE DISC	4
010	CR137169	PHONIC WHEEL	2
011	CR147775	SPACER	2
012	CR136247	BEARING	2
013	CR024936	SNAP RING D90X4	2
014	CR028521	RING	2
015	CR135937	WASHER	2
016	CR128440	BOLT M6X40	10
017	CR339062	BRAKE DISC COVER	2
018	CR147764	PHONIC WHEEL SUPORT	2

03. TRANSMISSION

FRONT AXLE (8)

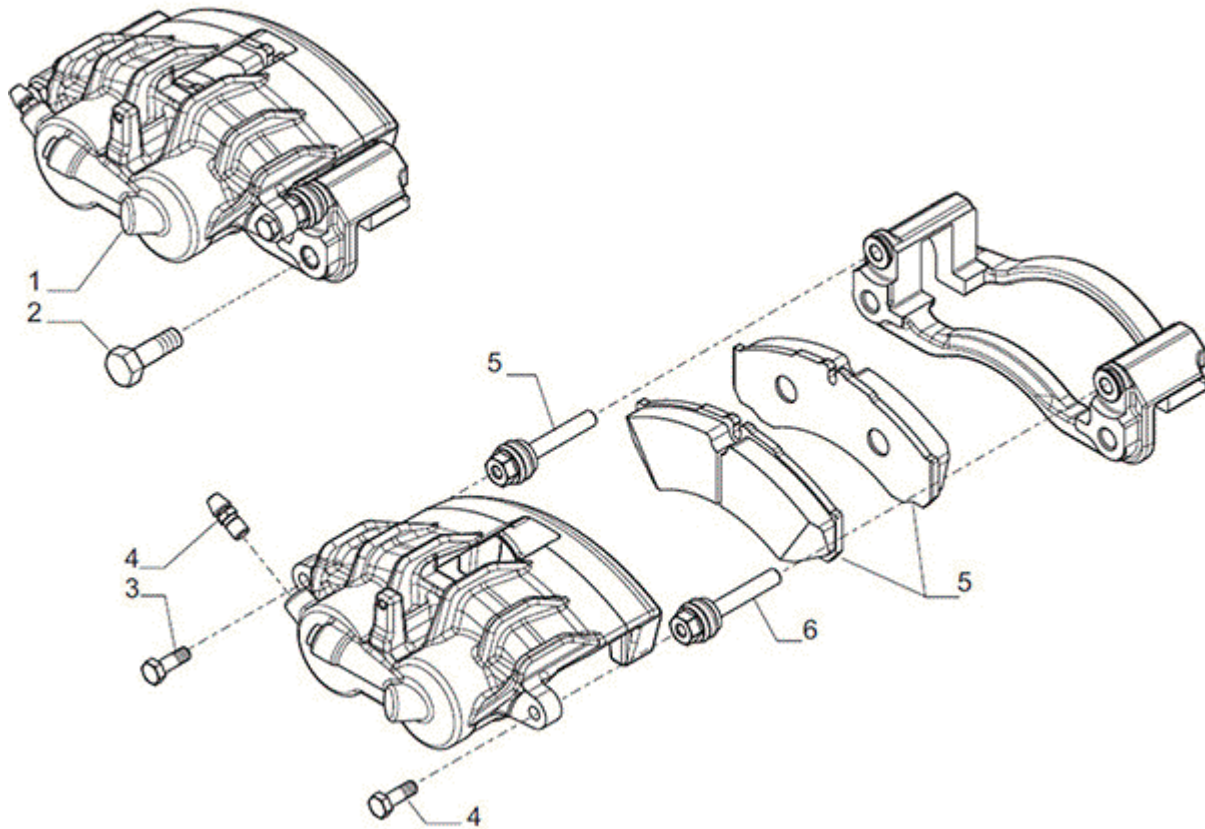


FIGURE	REFERENCE	DENOMINATION	AMOUNT
001	CR382255	LH BRAKE CALIPER	1
001	CR382256	RH BRAKE CALIPER	1
002	CR021617	BOLT M14X40	4
003	CR048475	BRAKE PADS KIT	1
004	CR048659	SPRING	2
005	CR048476	WEAR INDICATOR	1
006	CR048666	SEAL KIT	2
007	CR048477	PISTON	2
008	CR048479	BUSHING	2
009	CR048480	BOLT	2
010	CR048478	BLEEDING	1

04. CHASSIS

CHASSIS

CHASSIS: 66596

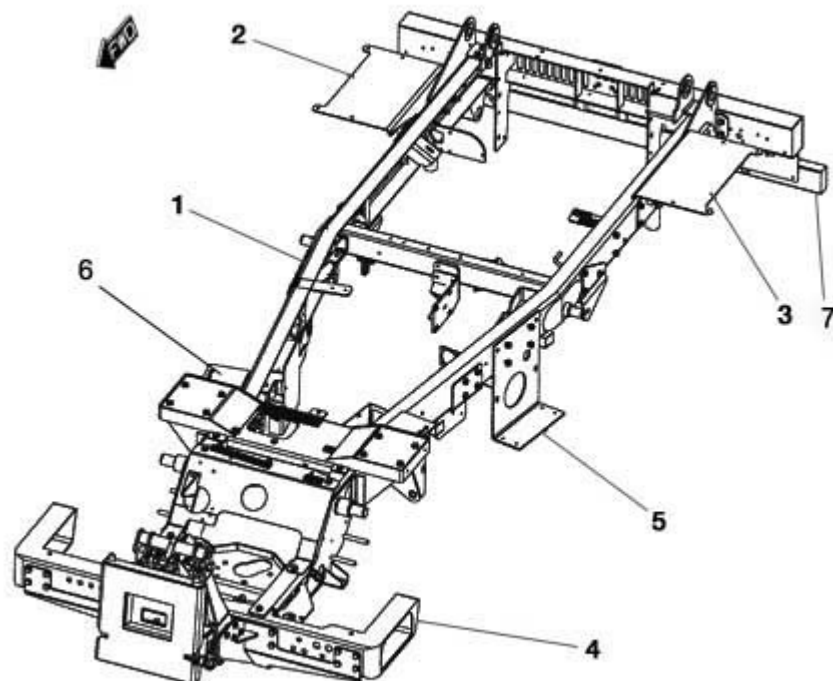


FIGURE	REFERENCE	DENOMINATION	AMOUNT
001	46.04500.01	FRAME AND BUMPERS	1
002L	46.04021.01	ANGULAR SUPPORT 126X300X420	1
002R	46.04021.02		1
003	46.08030.02		1
004	46.04011.04	BUMPER	1

04. CHASSIS

RIGHT DRIVING CHASSIS

CHASSIS: 70220

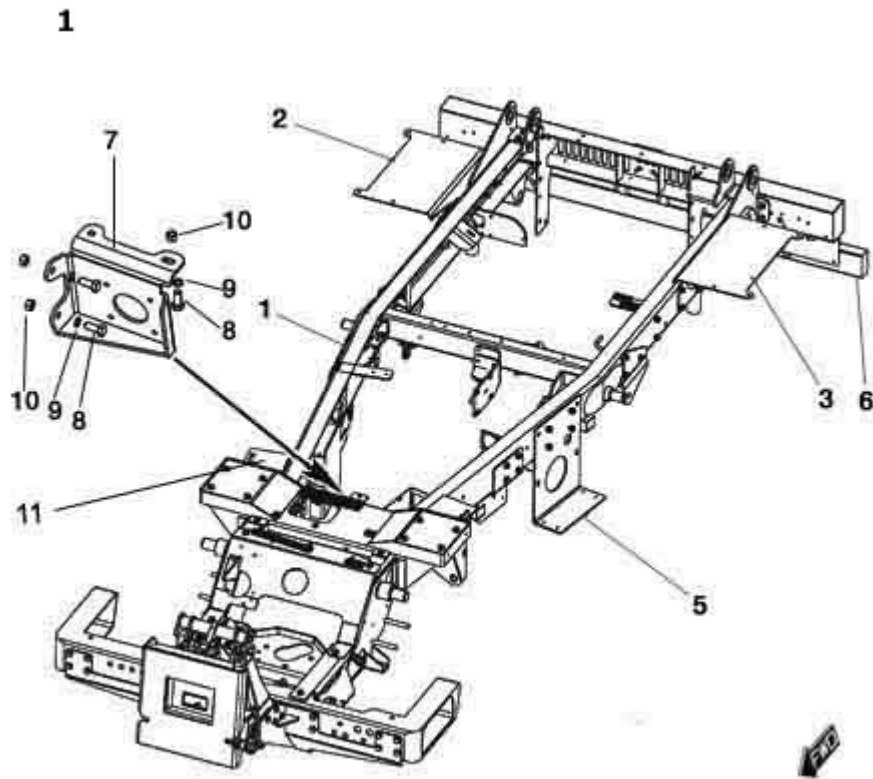


FIGURE	REFERENCE	DENOMINATION	AMOUNT
001	46.04500.02	FRAME	1
002	46.08556.00	FIXING SUPPORT	1
003	46.08558.00	MUD GUARD SUPPORT	1
005	46.04021.01	ANGULAR SUPPORT 126X300X420	1
006	46.08030.01	REAR BUMPER 55X1600	1
007	46.05180.03	FOOT PUMP SUPPORT	1
008	603.12030.86	SCREW DIN933 M12x30	4
009	104.12000.00	WASHER DIN7980 D12	4
010	701.12000.66	NUT DIN934 M12x1.75	4
011	46.04021.02		1

04. CHASSIS

FRONT SUSPENSION (PART 1)

CHASSIS: 66596

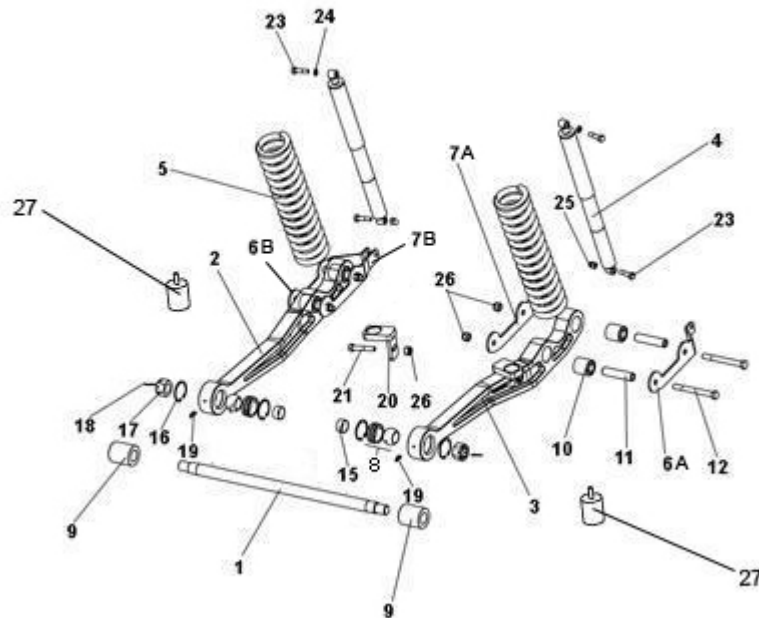


FIGURE	REFERENCE	DENOMINATION	AMOUNT
001	46.04051.00	AXLE	1
002	46.03233.02	AXLE SUPPORT	1
003	46.03234.02	AXLE SUPPORT	1
004	46.04531.10	SHOCK ABSORBER. SUSP DEL EURO5	2
005	46.04530.04	SPRING D116X485	2
006A	46.32493.00	6X73X36 DAMPER SUPPORT ARTICLES	1
006B	46.32492.00	6X73X36 DAMPER SUPPORT ARTICLES	1
007A	46.32494.00	ARTICLES SUPPORT CUSHION 23X73X3	1
007B	46.32495.00	ARTICLES SUPPORT CUSHION 23X73X3	1
008	941.35035.00	BALL JOINT	2
009	46.02080.01	BEARING CYL. D36X65X76	2
010	46.04255.01	BUSH D25XD50X56	4
011	46.04131.01	BUSHING Ø25xØ16.5x111	4
012	604.16150.86	BOLT DIN931 M16x150	4
015	46.04132.00	BUSHING Ø40xØ36x19	2
016	905.62000.00	RING 0,5 MM.	4
017	01.01319.00	NUT DIN935 M30x2x30	2
018	401.04050.60	PIN DIN94 4x50	2
019	903.08000.33	GREASER DIN71412-B	2

020	46.03280.01	CYLINDER SUPPORT	2
021	604.14075.86	SCREW DIN931	2
023	604.12045.86	SCREW DIN931	4
024	105.12000.66	WASHER DIN7980 D12	2
025	711.12000.66	NUT DIN982 M12	2
026	711.16000.66	NUT DIN982 M16 8.8 K	6
027	08.00107.02	BUTT	2
028	46.04540.00	AXLE CIL/CIL D76XD166X140	2

04. CHASSIS

FRONT SUSPENSION (PART 2)

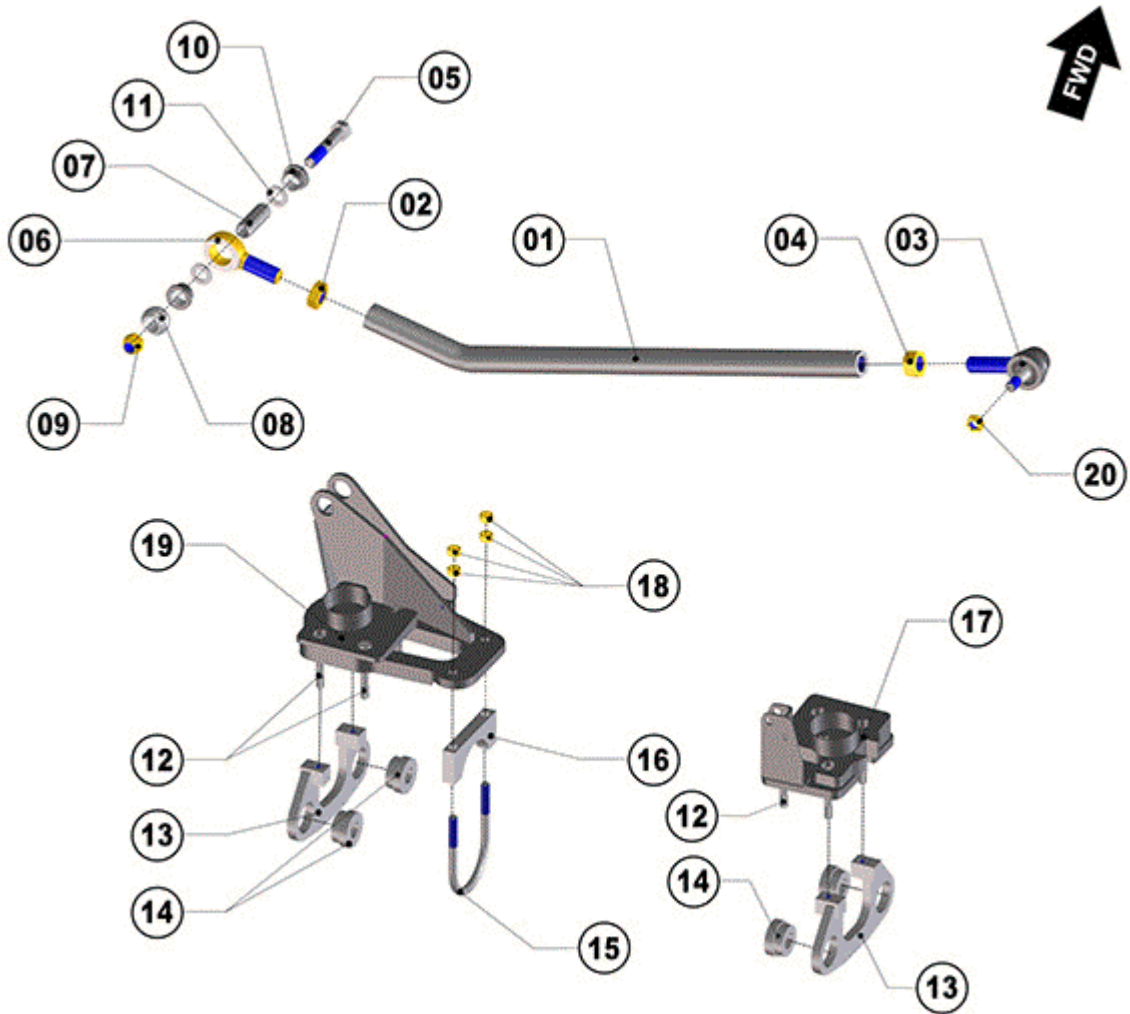


FIGURE	REFERENCE	DENOMINATION	AMOUNT
001	46.04339.01	BAR	1
002	01.01317.00	NUT	1
003	16.01023.00	L BALL	1
004	708.24000.66	NUT	1
005	604.18100.86	BOLT DIN931 M18x100	1
006	46.06018.00	L BALL	1
007	46.03450.00	CAP Ø18.5xØ25x70	1
008	46.06018.00	L BALL	1
009	711.18000.66	NUT DIN982 M18	1
010	46.03447.00		2
011	101.18000.66	BEARING DIN125 D18	2
012	601.12070.86		8
013	46.03329.00	SHAFT SUPPORT 111X33X264	2
014	46.03236.00	WASHER, FRONT AxLE SUPPORT	4

015	02.00184.00	Foru D106 FLANGE	1
016	01.00183.00	TRUMPET 20X64X137 SUPPLEMENT	1
017	46.03244.04	SHAFT SUPPORT 140X141X200	1
018	01.01305.00	NUT	4
019	46.03440.04		1

04. CHASSIS

FRONT SUSPENSION (PART 2)

CHASSIS: 62620

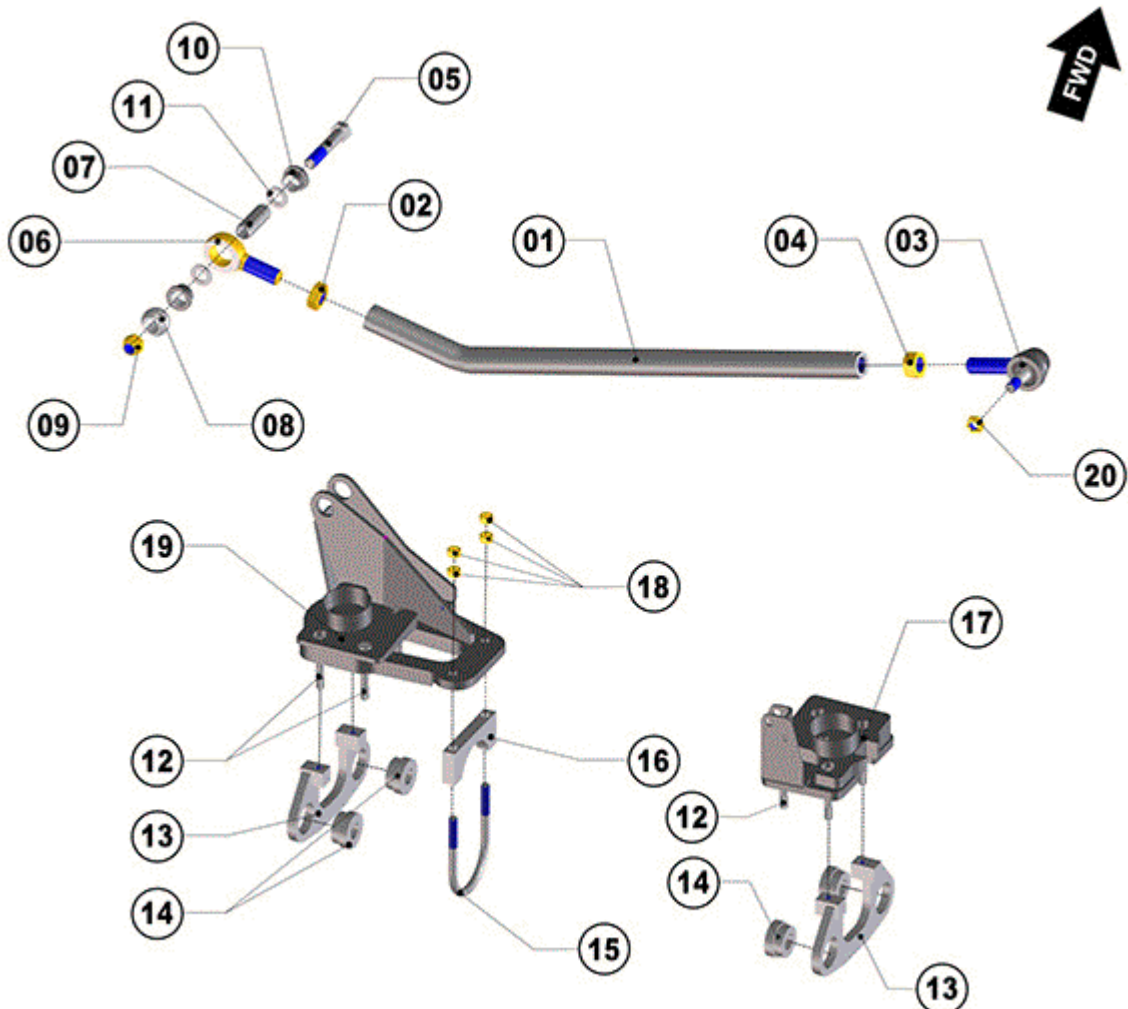


FIGURE	REFERENCE	DENOMINATION	AMOUNT
001	46.04339.01	BAR	1
002	01.01317.00	NUT	1
003	16.01023.00	L BALL	1
004	708.24000.66	NUT	1
005	604.18100.86	BOLT DIN931 M18x100	1
006	46.06018.00	L BALL	1
007	46.03450.00	CAP Ø18.5xØ25x70	1
008	46.06018.00	L BALL	1
009	711.18000.66	NUT DIN982 M18	1
010	46.03447.00		2
011	101.18000.66	BEARING DIN125 D18	2
012	601.12070.86		8
013	46.03329.00	SHAFT SUPPORT 111X33X264	2

014	46.03236.00	WASHER, FRONT AxLE SUPPORT	4
015	02.00184.00	Foru D106 FLANGE	1
016	01.00183.00	TRUMPET 20X64X137 SUPPLEMENT	1
017	46.03244.06	FRONT AXIS BRACKET	1
018	01.01305.00	NUT	4
019	46.03440.04		1

COMMENTS

MOD.3932

04. CHASSIS

FRONT SUSPENSION (PART 2)

CHASSIS: 71953

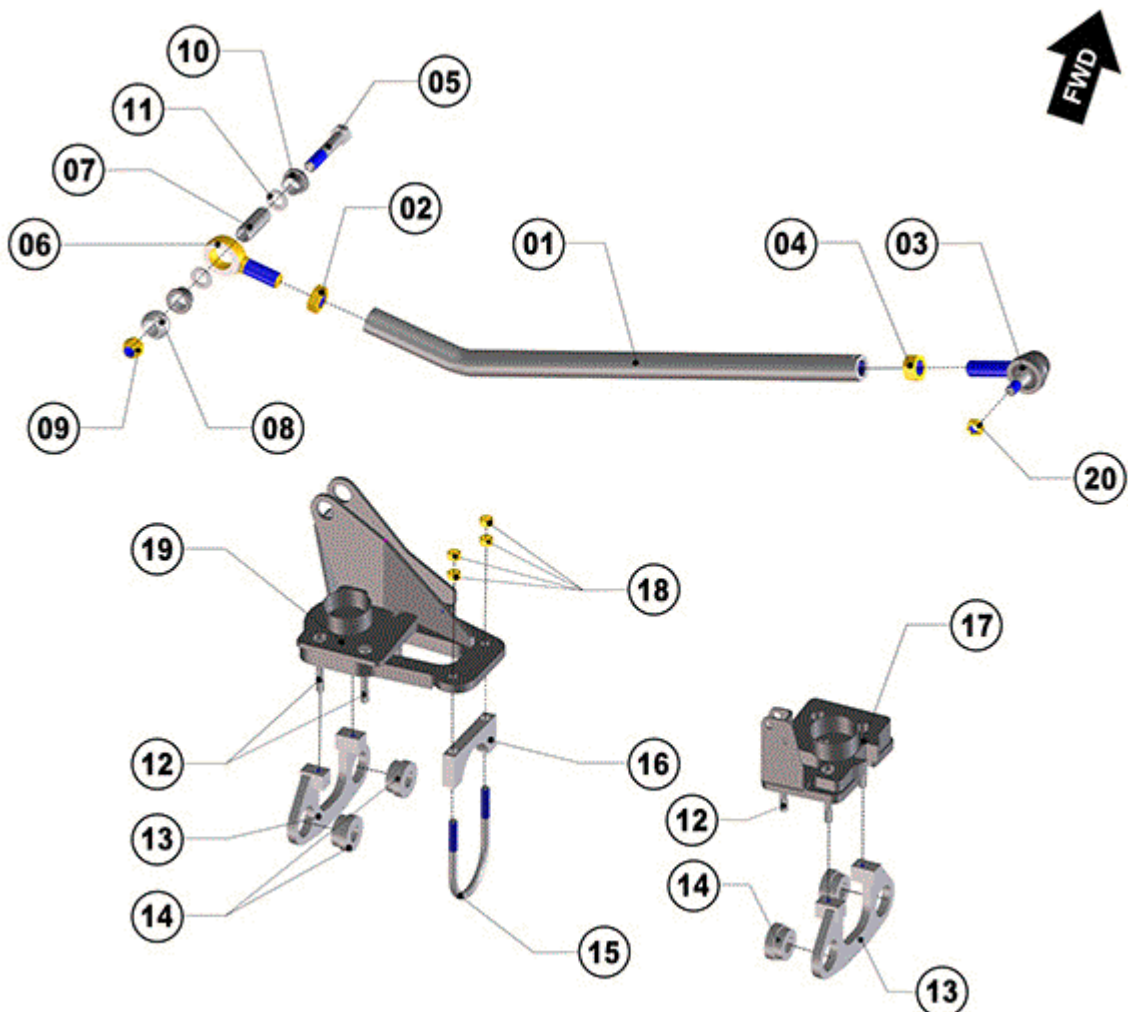


FIGURE	REFERENCE	DENOMINATION	AMOUNT
001	46.04339.01	BAR	1
002	01.01317.00	NUT	1
003	16.01023.00	L BALL	1
004	708.24000.66	NUT	1
005	604.18100.86	BOLT DIN931 M18x100	1
006	46.06018.00	L BALL	1
007	46.03450.00	CAP Ø18.5xØ25x70	1
008	46.06018.00	L BALL	1
009	711.18000.66	NUT DIN982 M18	1
010	46.03447.00		2
011	101.18000.66	BEARING DIN125 D18	2
012	601.12070.86		8
013	46.03329.00	SHAFT SUPPORT 111X33X264	2

014	46.03236.00	WASHER, FRONT AxLE SUPPORT	4
015	02.00184.00	Foru D106 FLANGE	1
016	01.00183.00	TRUMPET 20X64X137 SUPPLEMENT	1
017	46.03244.06	FRONT AXIS BRACKET	1
018	01.01305.00	NUT	4
019	46.03457.00	AXIS BRAKET	1

06. STEERING

STEERING (RIGHT DRIVING)

CHASSIS: 70220

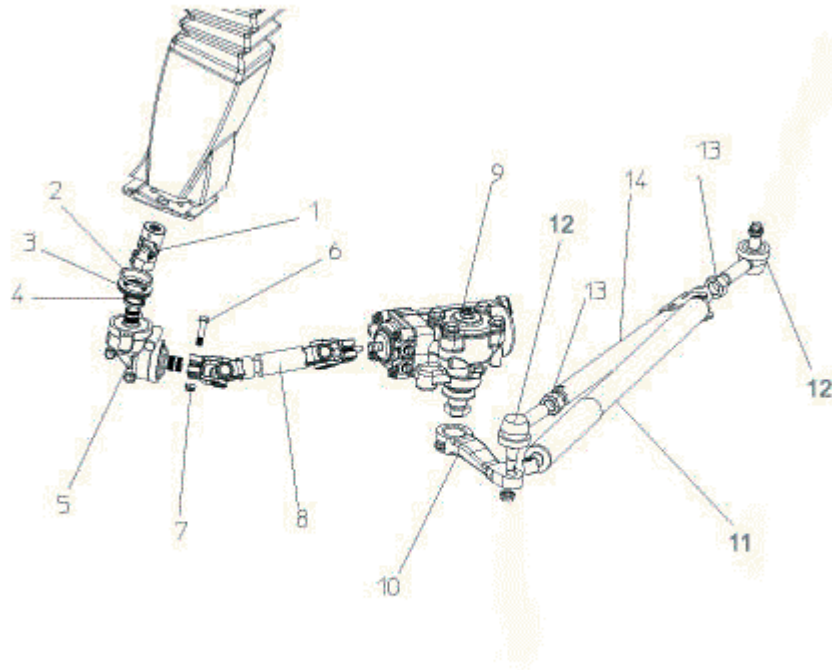


FIGURE	REFERENCE	DENOMINATION	AMOUNT
001	46.11226.00	STEERING CARDAN JOINT	1
002	201.05153.50	O-RING DIN3770	1
003	46.06600.00	STEERING SHEET SUPPLEMENT	1
004	228.30038.50	RASCADOR 30X38X5 DOBLE LABIO	1
005	46.06013.00	REMOTE FEEDBACK Coupling	1
006	604.10045.86	SCREW DIN931	1
007	720.10000.66	NUT	1
008	46.06017.06	Drive joint Max.405 Min.355	1
009	46.06011.00	RIGHT TRW MECHANIC STEERING	1
010	46.06014.01	RIGHT STEERING ROD	1
011	46.06114.10		1
012	16.01023.00	L BALL	2
013	708.24000.66	NUT	2
014	46.06216.01	RIGHT DIRECTIONAL BAR 540X80X42	1

06. STEERING

DRIVE PINION

CHASSIS: 66596

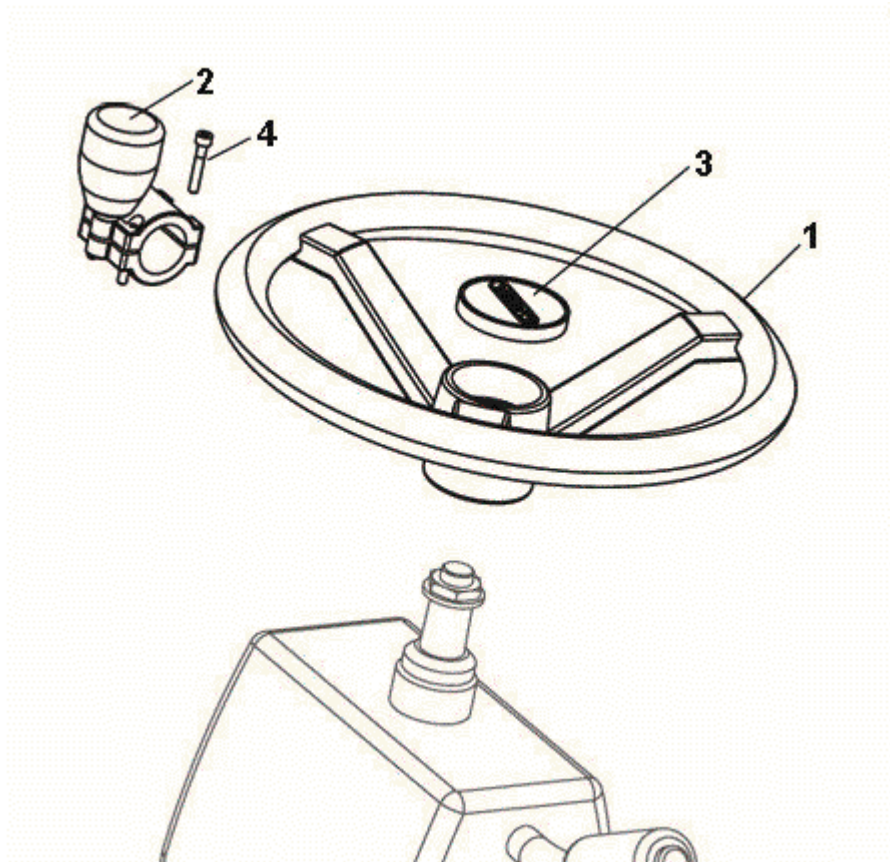


FIGURE	REFERENCE	DENOMINATION	AMOUNT
001	13.06131.00	ADDRESS FLYWHEEL D380X110 PP017	1
002	46.06070.00	WHEEL KNOB B400H	1
003	13.06133.00	AUSA ANAGRAM	1
004	601.05030.86	SCREW DIN912 M5X30	4

08. BODYWORK SHEETS

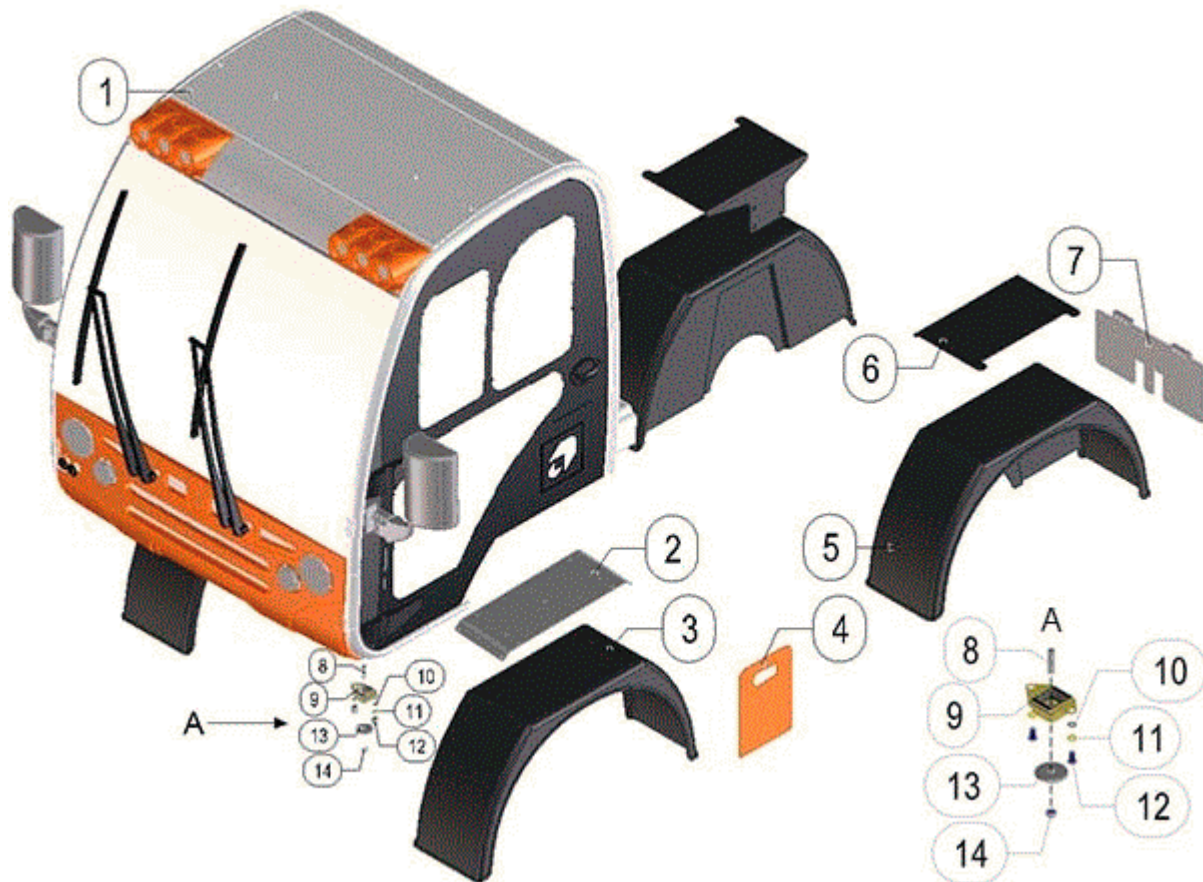


FIGURE	REFERENCE	DENOMINATION	AMOUNT
001A	46.08147.22	CLOSED CABIN LEFT STEERING WHEEL	1
001B	46.08147.23	CLOSED CABIN RIGHT STEERING WHEEL	1
002	46.08559.00	REINFORCEMENT 2X233X622	2
003	46.08450.00	BLACK MUDGUARD	2
004	46.10055.02	TANK COVER 2.5X248X358	2
005	46.08450.01	BLACK PLASTIC MUDGUARD	2
006	46.08556.00	FIXING SUPPORT	2
007	46.10753.01	SUPPORT 20X251.5X520	1
008	15.00357.00	STUD DIN939 M12x1,75	4
009	46.02060.00	SHOCK ABSORBER 38.5x60x120	4
010	101.10000.66	WASHER DIN125 D10	8
011	104.10000.00	WASHER DIN7980 D10	8
012	630.10020.96	SCREW ISO7380 M10x20	8
013	10.01317.00	WASHER DIN9021 12.5x59x5	4
014	720.12000.66	NUT M12 DIN985 AUTOLOCKING	4

08. BODYWORK SHEETS

CHASSIS: 72323

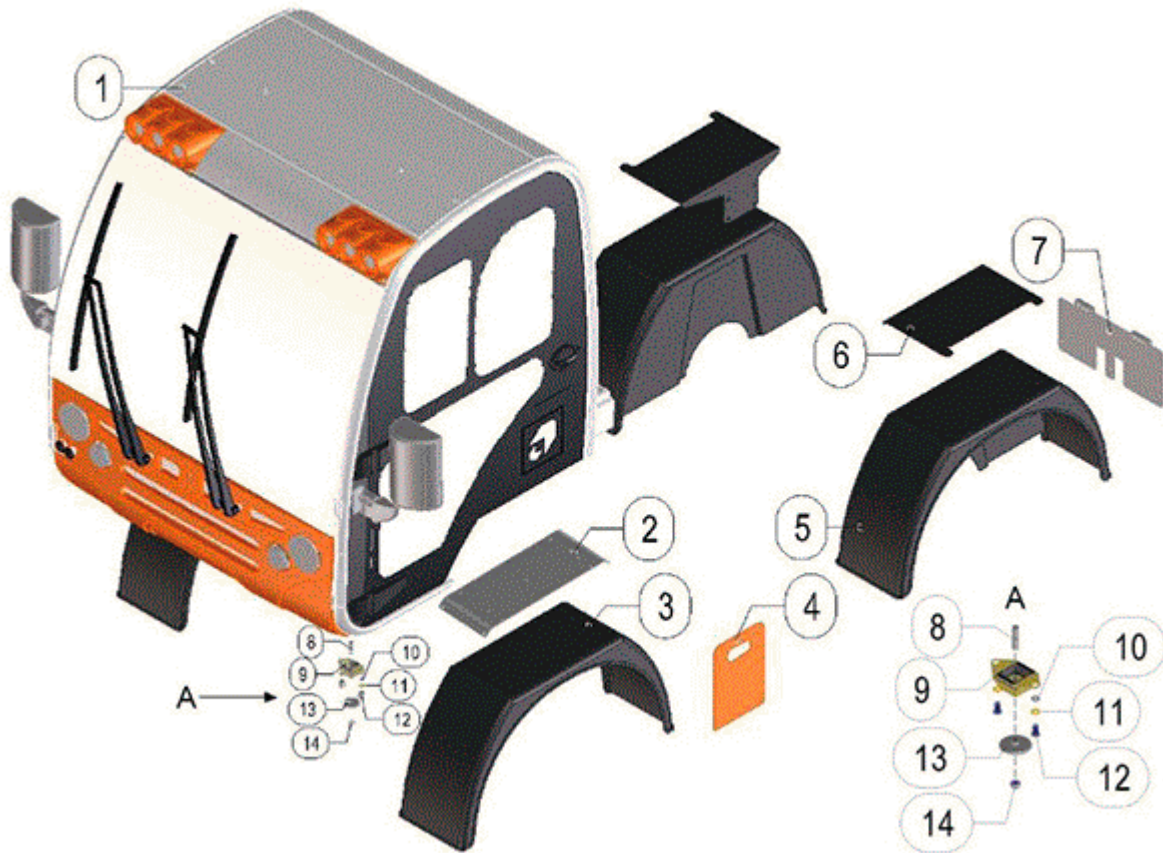


FIGURE	REFERENCE	DENOMINATION	AMOUNT
001A	46.08147.22	CLOSED CABIN LEFT STEERING WHEEL	1
001B	46.08147.23	CLOSED CABIN RIGHT STEERING WHEEL	1
002	46.08559.00	REINFORCEMENT 2X233X622	2
003	46.08450.00	BLACK MUDGUARD	2
004	46.10055.02	TANK COVER 2.5X248X358	2
005	46.08450.00	BLACK MUDGUARD	2
006	46.08556.00	FIXING SUPPORT	2
007	46.10753.01	SUPPORT 20X251.5X520	1
008	15.00357.00	STUD DIN939 M12x1,75	4
009	46.02060.00	SHOCK ABSORBER 38.5x60x120	4
010	101.10000.66	WASHER DIN125 D10	8
011	104.10000.00	WASHER DIN7980 D10	8
012	630.10020.96	SCREW ISO7380 M10x20	8
013	10.01317.00	WASHER DIN9021 12.5x59x5	4
014	720.12000.66	NUT M12 DIN985 AUTOLOCKING	4

COMMENTS

MOD.5508

08. BODYWORK

SHEETS

CHASSIS: 82662

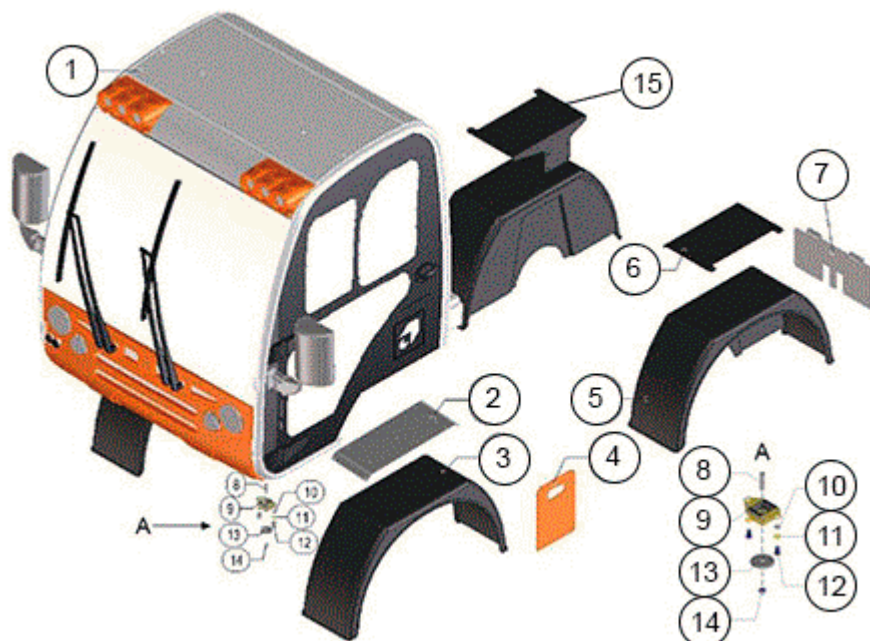


FIGURE	REFERENCE	DENOMINATION	AMOUNT
001A	46.08147.22	CLOSED CABIN LEFT STEERING WHEEL	1
001B	46.08147.23	CLOSED CABIN RIGHT STEERING WHEEL	1
002	46.08559.00	REINFORCEMENT 2X233X622	2
003	46.08450.04	FRONT MUDGUARD	2
004	46.10055.02	TANK COVER 2.5X248X358	2
005	46.08450.03	REAR MUDGUARD	2
006	46.08556.00	FIXING SUPPORT	1
007	46.10753.01	SUPPORT 20X251.5X520	1
008	15.00357.00	STUD DIN939 M12x1,75	4
009	46.02060.00	SHOCK ABSORBER 38.5x60x120	4
010	101.10000.66	WASHER DIN125 D10	8
011	104.10000.00	WASHER DIN7980 D10	8
012	630.10020.96	SCREW ISO7380 M10x20	8
013	10.01317.00	WASHER DIN9021 12.5x59x5	4
014	720.12000.66	NUT M12 DIN985 AUTOLOCKING	4
015	46.08558.00	MUD GUARD SUPPORT	1

08. BODYWORK

LATERAL PART CABIN



FIGURE	REFERENCE	DENOMINATION	AMOUNT
000A	46.08825.00	RIGHT DOOR ASSEMBLY	1
000B	46.08824.00	LEFT DOOR ASSEMBLY	1
001	46.82039.00	LEFT SIDE DOOR GLASS	1
002	46.08351.01		1
003	46.08774.00	CAP GPN M6	8
004	46.08741.00	LEFT LOCK JOINT PROFILE	1
005	46.08729.00	DOUBLE GLASS RUBBER 5M	2
006	46.82045.00	HINGE	2
007	46.82044.00	HINGE	2
008	46.08509.00	FEMALE PLASTIC HINGE	4
009	603.06090.86	BOLT DIN933 M6x90	4
010	720.06000.NX	NUT DIN985 M6 SELF-LOCK	4
011	46.08742.00	BOLT 8x60 INOX A-2	8
012	46.08743.00	BOLT 8x50 INOX A-2	4
013	46.82048.00	LEFT REAR VIEW MIRROR	1
014	113.06000.66	WASHER DIN6798 A Ø6	6

015	630.06025.96	SCREW ISO7380 M6x25	2
016	46.82124.00	BOLT ISO7380 M8x20/1,25	6
017	46.08744.00	SHEET	2
018	46.08745.00	BOLT DIN965 6x20	4
019	MA.10007.00	KNOB	3
020	624.06018.66	SCREW	6
021	46.08746.00	KIT HINGE COUPLING	1
022	46.08506.00	KNUKLE	4
023	46.08513.00	WASHER DIN6798 Ø8 CAB	10
024	720.08000.66	NUT DIN985 M8 AUTOLOCKING	8
025	46.08747.00	SHOCK ABSORBER, 100N	2
026	46.08521.00	RING	4
027	46.08748.00	RUBBER JOINT	2
028	46.08749.00	RUBBER JOINT	2
029	46.08750.00	KIT HINGE SUPPORT COUPLING	1
030	MA.10010.00	WASHER	6
031	630.08025.96	SCREW ISO7380	2
032	46.08751.00		2
033	113.12000.66	WASHER	2
034	46.08752.00	WASHER 13x32x3 ZN	2

08. BODYWORK

LATERAL PART CABIN

FIGURE	REFERENCE	DENOMINATION	AMOUNT
035	46.08753.00	LOCK PIN	2
036	46.82078.00	LOCK	2
036A	46.08979.00	KEYS	2
037	46.08754.00	LEFT LOCK PLAQUE SUPPORT	1
038	46.08755.00	RIGHT LOCK JOINT PROFILE	1
039	MA.10009.00	WASHER DIN9021 6X18X1,5	6
040	46.08756.00	BOLT DIN7985 6x40	6
041	46.08757.00	LEFT LOCK	1
042	618.08030.86	FLAT HEAD SOCKET CAP SCREW DIN7991 M8x30	4
043	46.82069.00	RIGHT SIDE DOOR GLASS	1
044	46.08758.00	LEFT DOOR BRACE	1
045	MA.10050.00	RUBBER WASHER 20X40	12
046	MA.10027.00	INSERTED NUT M8	6
047	46.08759.00	RIGHT DOOR BRACE	1
048	46.08760.00	CAP 19MM.	4
049	46.08761.00	KIT HINGE COUPLING	1
050	46.08762.00	KIT HINGE SUPPORT COUPLING	1

051	46.08763.00	RIGHT LOCK PLAQUE SUPPORT	1
052	46.08764.00	RIGHT LOCK	1
053	46.82079.00	RIGHT REAR MIRROR	1
054	46.08765.00	LEFT DOOR FRONT BRACE	1
055	46.08766.00	RIGHT DOOR FRONT BRACE	1
056	46.00153.00		1
057	46.08767.00	CAP	6
058	46.08768.00	SUPLEMENT	2
059	46.08769.00	SUPLEMENT	2
060	MA.10067.00	SCREW	2
061	46.08773.00	PLASTIC SHEET	4
062	630.08020.97		8
063	46.08350.01	RIGHT FRONT LATERAL ASSEMBLY	1
064	46.08772.00	RUBBER JOINT	4

08. BODYWORK

FRONT SIDE CABIN

11 KIT MECANISMO LIMPIA / WASHER CLEANING MECHANISM KIT

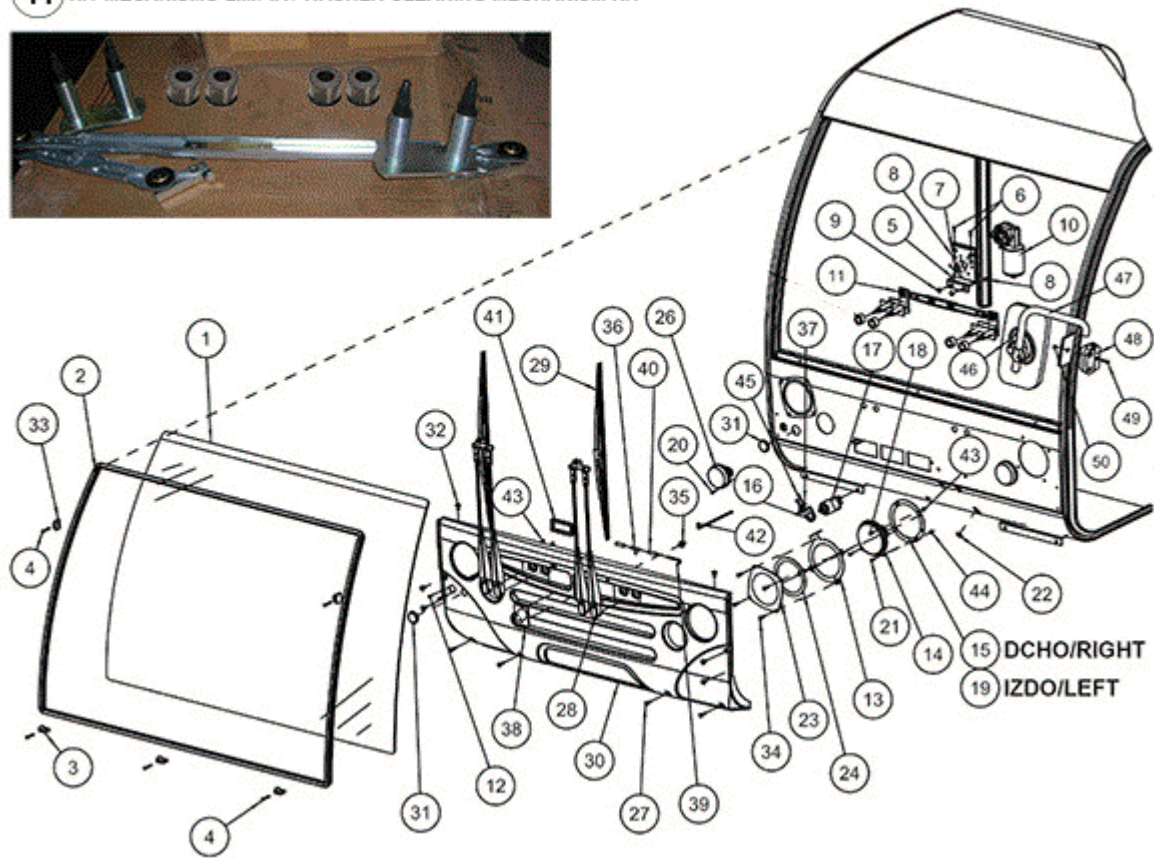


FIGURE	REFERENCE	DENOMINATION	AMOUNT
001	46.82000.03	Windscreen	1
002	46.08729.00	DOUBLE GLASS RUBBER 5M	1
003	MA.10030.00	NUT DIN1587	3
004	618.05040.86	FLAT HEAD SOCKET CAP SCREW DIN7991 M5x40	5
005	46.08730.00	WINDSCREEN-WIPER MOTOR SUPPORT	1
006	624.06018.66	SCREW	2
007	MA.10009.00	WASHER DIN9021 6X18X1,5	2
008	720.06000.66	NUT	4
009	101.08000.66	WASHER DIN125 D8	2
010	46.08562.00	WINDSHIELD MOTOR	1
011	46.08612.00	WIPER MECHANISM	1
012	46.08572.00	SCREW DIN7985 M5X12	2
013	46.11077.00	OUTTER BEACON FIXING	2
014	46.82010.00	LOWER DRIVING BEACON	2
015	46.08731.00	INNER RIGHT BEACON FIXING	1
016	46.08732.00	BEACON MOTOR FIXING	2
017	46.11075.00	BEACON HEIGHT REGULATOR MOTOR	2

018	46.08733.00	BOLT DIN7985 5x25	4
019	46.08734.00	LEFT INNER FIXING BEACON	1
020	46.08556.00	FIXING SUPPORT	6
021	46.08560.00	BOLT 4,2x16 DIN7504	4
022	MA.10025.00	CABLE GROMMET	1
023	46.11079.00	BEACON REG. PROTECTOR	2
024	46.08598.00	ADHESIVE, PVC 10x5x440	2
026	46.82006.00	LOWER INTERMITTENT	2
027	630.06025.96	SCREW ISO7380 M6x25	4
028	46.08670.01	WINDSCREEN WIPER ARM	1
029	46.08571.00	WINDSCREEN WIPER BLADE	2
030	46.08080.00R9001		1
030	46.08080.00R9010		1
030	46.08080.00	EXTERNAL CASE	1
031	46.82014.00	BUSHING	2
032	630.06016.96	BOLT ISO7380 M6x16	6
033	46.08736.00	PLASTIC CAP	2
034	46.08615.00	SCREW 6x20 PHILIPS DIN7985	8
035	46.08602.00	FITTING	2

08. BODYWORK

FRONT SIDE CABIN

FIGURE	REFERENCE	DENOMINATION	AMOUNT
036	46.08603.00	FITTING TEE	1
037	101.06000.66	WASHER DIN125 D6	2
038	46.08099.00	AUSA BADGE	1
039	46.08737.00	PIPE L=300 MM	1
040	46.08738.00	PIPE L=70 MM	2
041	46.15017.00		2
042	46.08739.00	PIPE L=4200 MM	1
043	720.05000.66	NUT DIN985 M5	8
044	720.04000.66	NUT DIN985 M4	6
045	601.05015.86	SCREW 6X10 ALLEN C/CYLINDR.	2
046	46.08128.00	REAR-VIEW MIRROR	1
047	46.08129.00	REAR-VIEW MIRROR ARM	1
048	MA.20045.00	MIRROR FIXING FLANGE	1
049	603.08035.87	SCREW 8X35/1.25 DIN 933 INOX.A-2	1
050	720.08000.62	NUT M8/125 AUTOLOCKING DIN985 INOX.	1

08. BODYWORK

REAR PART CABIN



FIGURE	REFERENCE	DENOMINATION	AMOUNT
001	46.08775.00	REAR GLASS	1
002	46.08501.00	CABIN RUBBER PROFILE (4.21 METERS)	1
003	MA.10030.00	NUT DIN1587	3
004	46.08776.00	BOLT DIN7982 5.5x25	3
005	46.08005.00	TANK 5 L	1
006	112.06000.NX	WASHER DIN9021 Ø6	14
007	720.06000.NX	NUT DIN985 M6 SELF-LOCK	14
008	46.08777.00	PROFILE	1
009	MA.10068.00	BOLT M8X16X1.25 ISO7380	4
010	603.03025.86	BOLT DIN933 M3x25	12
011	46.08778.00		1
012	46.08150.56	SUPPORT	1
013	46.08779.00		1
014	MA.10025.00	CABLE GROMMET	1
015	MA.10033.00	VALVE	1
016	46.08150.59		1
017	46.08349.00	CABINA GRID	6
018	46.08780.00	BUSHING, PLASTIC 8x16x20	2
019	46.08781.00	BUSHING, PLASTIC 8x16x35	2
020	46.82106.00	BUSHING	12
021	46.08783.00		3
022	101.06000.66	WASHER DIN125 D6	1

023	720.06000.66	NUT	1
024	720.03000.66	NUT DIN985 M3	12
025	113.03000.66N	WASHER M3 DIN6798 INOX	12
026	46.00063.00	PLUG D32 PLASTIC NG	1

08. BODYWORK

INTERIOR CABIN (RIGHT DRIVING)

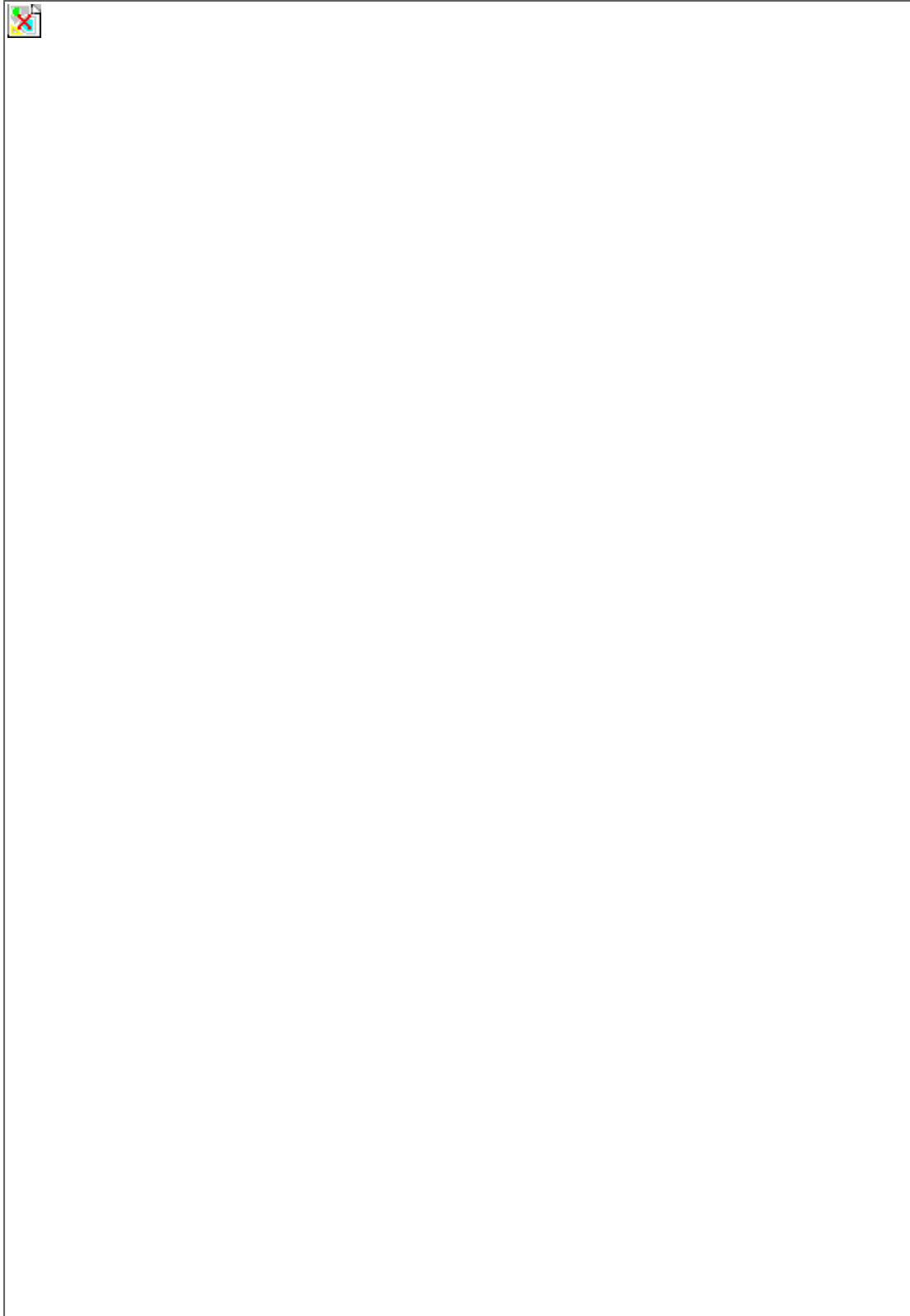


FIGURE	REFERENCE	DENOMINATION	AMOUNT
001	46.08255.00	BREAKING PEDAL/THROTTLE PEDAL ASSEMBLY	1
002	101.08000.66	WASHER DIN125 D8	4
003	720.08000.66	NUT DIN985 M8 AUTOLOCKING	4

004	46.50350.01	DUST PROTECTOR BASE FOR JOYSTICK	1
005	46.08701.00	AIR FILTER GRID	1
006	46.08702.00	AIR FILTER PPI 20	2
007	46.08572.00	SCREW DIN7985 M5X12	8
008	46.08615.00	SCREW 6x20 PHILIPS DIN7985	5
009	46.08150.62	ADHESIVE JOINT ORBITRON	1
010	46.06201.02	STEERING COLUMN	1
011	46.06356.02	STEERING WHEEL WITH KNOB	1
012	101.10000.66	WASHER DIN125 D10	4
013	603.10020.86	SCREW DIN933 M10x20	4
014	46.08188.01	LEFT CARPET	1
015	46.08835.00	LEFT CARPET FILLING	1
016	46.08189.01	RIGHT CARPET	1
017	46.08834.00	RIGHT CARPET FILLING	1
018	46.08952.00	PLASTIC PLATE	1
019	46.08953.00	PLASTIC PLATE	1
020	635.04513.66	SCREW DIN7981 ST 4.8X13	13
021	46.08706.00	CENTRAL CONSOLE COVER	1
022	46.08707.00	LEFT SEAT COATING	1
023	46.08708.00	RIGHT SEAT COATING	1
024	46.00691.00	CENTRAL CONSOLE COATING	1
025	46.08124.00	DRIVER SEAT WITH SUSPENSION	1
026	46.05118.00	ADHESIVE PVC STRIPE 10X5X30	2
027	633.080025.86	SCREW M8X25X1.25 DIN912	8
028	46.08126.00	CO-DRIVER SEAT WITH SUSPENSION	1
029	46.82135.00	ASHTRAY 274100 BLACK	1
030	46.08951.00	PLASTIC PLATE	1
031	46.08950.01	ALUMINIUM PLATE 167X282X2	1
032	MA.10025.00	CABLE GROMMET	1
033	46.08913.00	SCREW M5X14 BLACK NYLON PHILIPS	4
034	46.08915.00	INSERTED NUT	4
035	46.50349.01	ARTIFICIAL LEATHER DUST PROTECTOR	1
036	46.11164.01	JOYSTICK	1

08. BODYWORK

INTERIOR CABIN (RIGHT DRIVING)

FIGURE	REFERENCE	DENOMINATION	AMOUNT
037	46.03728.03	PIN SUPPORT 15X30X107	1
038	46.03154.00	AXLE CYL/SCR 180XD25XM10	1
039	46.03023.01	HYDROSTATIC PUMP CONTROL CABLE	1
040	46.00006.00	FAST NUT TRS-M4	4

041	46.84972.00	CLAMP UNION LIMIT	4
042	46.08013.02	COMPLETE DASHBOARD	1
043	MA.10009.00	WASHER DIN9021 6X18X1,5	17
044	46.08711.00	SCREW DIN7985 M6x25	4
045	46.08712.00	SCREW DIN7985 M6x35	4
046	46.08563.00	HEATER GRID	4
047	46.08564.00	AIR GRID P29 BIS BLACK	2
048	46.11076.00	HEIGHT ADJUSTMENT CONTROL FOR LIGHTS AUSA46	1
049	46.11150.03	INSTRUMENT PANEL	1
050	46.81112.00	GLOVE COMPARTMENT	1
051	46.80122.00	KEY&LOCK SET	1
052	46.00369.00	BALL VALVE D11	1
053	46.08556.00	FIXING SUPPORT	2
054	46.08040.01	3 POINT BELT	2
055	46.08713.00	HOSE CLAMP 12-22	6
056	46.82312.01	RIGHT SUPPLEMENT DASHBOARD	1
057	46.82121.01	LEFT SUPPLEMENT DASHBOARD	1
058	46.82120.01	PLASTIC CAP	14
059	46.08714.00	RIGHT HEATING SUPPORT FIXATION	1
060	46.82115.01	HEATING/AIR CONDITIONING	1
061	635.04819.66	SCREW DIN7981 ST 4.8x19	19
062	46.08107.00	HEATING COATING COVER	1
063	46.05709.00	BREAKING CABLE D3,5x1830	1
064	46.08716.00	HEATING HANDLE HUB CAP	1
065	46.08717.00	LEFT HEATING FIXING SUPPORT	1
066	46.08718.00	REAR-VIEW MIRROR REGULATION CONTROL	1
067	46.00043.00	LIGHT COLUMN REGULATION CONTROL	1
068	46.08127.00	HEAD REST	2
069	46.08719.00	AIR CONDITIONING SUPPORT	1
070	46.08720.00	RUBBER CABLE GROMMET 3/8	1
071	46.00814.00		1
072	46.08721.00	HEATER PIPE 620MM	1

08. BODYWORK

INTERIOR CABIN (RIGHT DRIVING)

FIGURE	REFERENCE	DENOMINATION	AMOUNT
073	46.08722.00	HEATER PIPE 370MM	1
074	46.08723.00	HEATER PIPE 250MM	1
075	720.06000.66	NUT	7
076	46.08801.00	HYDRAULIC HOSE R1T3/8 5/8 AIR/CONDITION	1
077	46.08802.00	HYDRAULIC HOSE R1T3/8 7/8 AIR/CONDITION	1

078	46.09730.00	FITTING M/M 7/8 UNF	1
079	46.09733.00	FITTING M/M 5/8 UNF	1
080	46.09736.00	CAP 7/8 UNF	1
081	46.09737.00	CAP 5/8 UNF	1
082	46.08789.00	BOLT DIN7985 M5x20	1
083	101.05000.66	WASHER DIN125 D5	1
084	46.08725.00	BUSHING 20x11x15	4
085	46.08726.00	ADHESIVE, 12x12x50	2
086	46.08727.00	ADHESIVE, 10x5x600	2
087	701.06000.66	NUT DIN934 M6X1	3
088	113.06000.66	WASHER DIN6798 A Ø6	4
089	46.11168.00	THROTTLE CABLE EURO IV	1
090	630.04010.96		13
091	720.04000.66	NUT DIN985 M4	13
092	46.03023.99	SENSOR WITH SENSOR MOUNT	1
093	701.05000.66	NUT DIN934 M5x0.8	1
094	720.05000.66	NUT DIN985 M5	1
095	46.08911.00		2
096	46.08910.00		2
097	46.01306.00		4
098	46.08016.01		1
099	46.97455.00	PEDALS SUPPORT REINFORCEMENT	1
100	46.80130.00	PEDALS COVER	1

08. BODYWORK

INTERIOR CABIN (RIGHT DRIVING)

CHASSIS: 82376

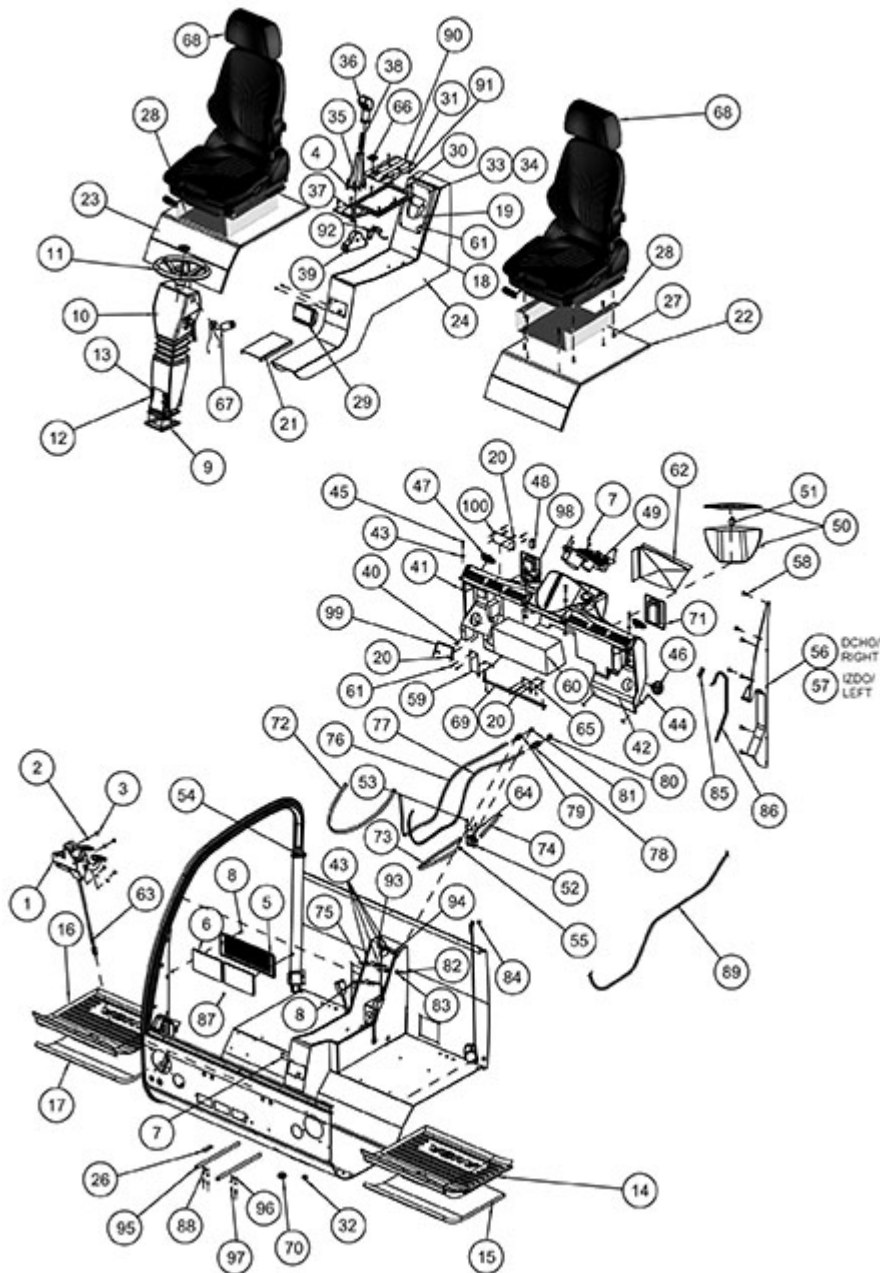


FIGURE	REFERENCE	DENOMINATION	AMOUNT
001	46.08255.00	BREAKING PEDAL/THROTTLE PEDAL ASSEMBLY	1
002	101.08000.66	WASHER DIN125 D8	4
003	720.08000.66	NUT DIN985 M8 AUTOLOCKING	4
004	46.50350.01	DUST PROTECTOR BASE FOR JOYSTICK	1
005	46.08701.00	AIR FILTER GRID	1
006	46.08702.00	AIR FILTER PPI 20	2
007	46.08572.00	SCREW DIN7985 M5X12	8
008	46.08615.00	SCREW 6x20 PHILIPS DIN7985	5
009	46.08150.62	ADHESIVE JOINT ORBITRON	1

010	46.06201.02	STEERING COLUMN	1
011	13.06131.00	ADDRESS FLYWHEEL D380X110 PP017	1
012	101.10000.66	WASHER DIN125 D10	4
013	603.10020.86	SCREW DIN933 M10x20	4
014	46.08188.01	LEFT CARPET	1
015	46.08835.00	LEFT CARPET FILLING	1
016	46.08189.01	RIGHT CARPET	1
017	46.08834.00	RIGHT CARPET FILLING	1
018	46.08952.00	PLASTIC PLATE	1
019	46.08953.00	PLASTIC PLATE	1
020	635.04513.66	SCREW DIN7981 ST 4.8X13	13
021	46.08706.00	CENTRAL CONSOLE COVER	1
022	46.08707.00	LEFT SEAT COATING	1
023	46.08708.00	RIGHT SEAT COATING	1
024	46.00691.00	CENTRAL CONSOLE COATING	1
026	46.05118.00	ADHESIVE PVC STRIPE 10X5X30	2
027	633.080025.86	SCREW M8X25X1.25 DIN912	8
028	46.08925.00	SEAT SUPPORT FIXING GRAMMER	2
029	46.82135.00	ASHTRAY 274100 BLACK	1
030	46.08951.00	PLASTIC PLATE	1
031	46.08950.01	ALUMINIUM PLATE 167X282X2	1
032	MA.10025.00	CABLE GROMMET	1
033	46.08913.00	SCREW M5X14 BLACK NYLON PHILIPS	4
034	46.08915.00	INSERTED NUT	4
035	46.50349.01	ARTIFICIAL LEATHER DUST PROTECTOR	1
036	46.11164.01	JOYSTICK	1
037	46.03728.03	PIN SUPPORT 15X30X107	1

08. BODYWORK

INTERIOR CABIN (RIGHT DRIVING)

CHASSIS: 82376

FIGURE	REFERENCE	DENOMINATION	AMOUNT
038	46.03154.00	AXLE CYL/SCR 180XD25XM10	1
039	46.03023.01	HYDROSTATIC PUMP CONTROL CABLE	1
040	46.00006.00	FAST NUT TRS-M4	4
041	46.84972.00	CLAMP UNION LIMIT	4
042	46.08013.02	COMPLETE DASHBOARD	1
043	MA.10009.00	WASHER DIN9021 6X18X1,5	17
044	46.08711.00	SCREW DIN7985 M6x25	4
045	46.08712.00	SCREW DIN7985 M6x35	4
046	46.08563.00	HEATER GRID	4
047	46.08564.00	AIR GRID P29 BIS BLACK	2

048	46.11076.00	HEIGHT ADJUSTMENT CONTROL FOR LIGHTS AUSA46	1
049	46.11150.03	INSTRUMENT PANEL	1
050	46.81112.00	GLOVE COMPARTMENT	1
051	46.80122.00	KEY&LOCK SET	1
052	46.00369.00	BALL VALVE D11	1
053	46.08556.00	FIXING SUPPORT	2
054	46.08040.01	3 POINT BELT	2
055	46.08713.00	HOSE CLAMP 12-22	6
056	46.82312.01	RIGHT SUPPLEMENT DASHBOARD	1
057	46.82121.01	LEFT SUPPLEMENT DASHBOARD	1
058	46.82120.01	PLASTIC CAP	14
059	46.08714.00	RIGHT HEATING SUPPORT FIXATION	1
060	46.82115.01	HEATING/AIR CONDITIONING	1
061	635.04819.66	SCREW DIN7981 ST 4.8x19	19
062	46.08107.00	HEATING COATING COVER	1
063	46.05709.00	BREAKING CABLE D3,5x1830	1
064	46.08716.00	HEATING HANDLE HUB CAP	1
065	46.08717.00	LEFT HEATING FIXING SUPPORT	1
066	46.08718.00	REAR-VIEW MIRROR REGULATION CONTROL	1
067	46.00043.00	LIGHT COLUMN REGULATION CONTROL	1
068	48.08889.00	REDUCED HEIGHT SEAT GRAMMER SUSP	2
069	46.08719.00	AIR CONDITIONING SUPPORT	1
070	46.08720.00	RUBBER CABLE GROMMET 3/8	1
071	46.00814.00		1
072	46.08721.00	HEATER PIPE 620MM	1
073	46.08722.00	HEATER PIPE 370MM	1

08. BODYWORK

INTERIOR CABIN (RIGHT DRIVING)

CHASSIS: 82376

FIGURE	REFERENCE	DENOMINATION	AMOUNT
074	46.08723.00	HEATER PIPE 250MM	1
075	720.06000.66	NUT	7
076	46.08801.00	HYDRAULIC HOSE R1T3/8 5/8 AIR/CONDITION	1
077	46.08802.00	HYDRAULIC HOSE R1T3/8 7/8 AIR/CONDITION	1
078	46.09730.00	FITTING M/M 7/8 UNF	1
079	46.09733.00	FITTING M/M 5/8 UNF	1
080	46.09736.00	CAP 7/8 UNF	1
081	46.09737.00	CAP 5/8 UNF	1
082	46.08789.00	BOLT DIN7985 M5x20	1
083	101.05000.66	WASHER DIN125 D5	1
084	46.08725.00	BUSHING 20x11x15	4

085	46.08726.00	ADHESIVE, 12x12x50	2
086	46.08727.00	ADHESIVE, 10x5x600	2
087	701.06000.66	NUT DIN934 M6X1	3
088	113.06000.66	WASHER DIN6798 A Ø6	4
089	46.11168.00	THROTTLE CABLE EURO IV	1
090	630.04010.96		13
091	720.04000.66	NUT DIN985 M4	13
092	46.03023.99	SENSOR WITH SENSOR MOUNT	1
093	701.05000.66	NUT DIN934 M5x0.8	1
094	720.05000.66	NUT DIN985 M5	1
095	46.08911.00		2
096	46.08910.00		2
097	46.01306.00		4
098	46.08016.01		1
099	46.97455.00	PEDALS SUPPORT REINFORCEMENT	1
100	46.80130.00	PEDALS COVER	1

08. BODYWORK
INTERIOR CABIN (RIGHT DRIVING)
 CHASSIS: 82376

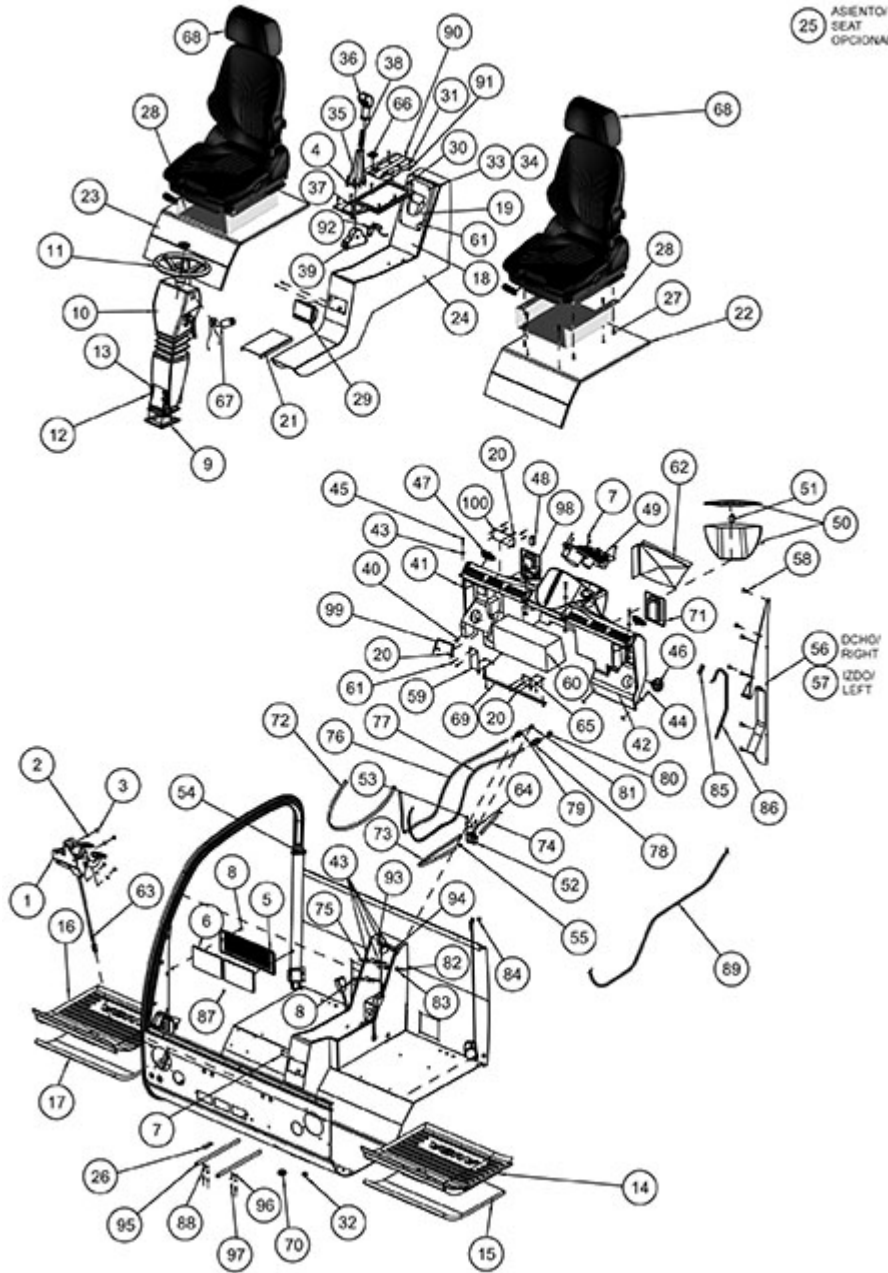


FIGURE	REFERENCE	DENOMINATION	AMOUNT
001	46.08255.00	BREAKING PEDAL/THROTTLE PEDAL ASSEMBLY	1
002	101.08000.66	WASHER DIN125 D8	4
003	720.08000.66	NUT DIN985 M8 AUTOLOCKING	4
004	46.50350.01	DUST PROTECTOR BASE FOR JOYSTICK	1
005	46.08701.00	AIR FILTER GRID	1
006	46.08702.00	AIR FILTER PPI 20	2
007	46.08572.00	SCREW DIN7985 M5X12	8
008	46.08615.00	SCREW 6x20 PHILIPS DIN7985	5
009	46.08150.62	ADHESIVE JOINT ORBITRON	1

010	46.06201.02	STEERING COLUMN	1
011	13.06131.00	ADDRESS FLYWHEEL D380X110 PP017	1
012	101.10000.66	WASHER DIN125 D10	4
013	603.10020.86	SCREW DIN933 M10x20	4
014	46.08188.01	LEFT CARPET	1
015	46.08835.00	LEFT CARPET FILLING	1
016	46.08189.01	RIGHT CARPET	1
017	46.08834.00	RIGHT CARPET FILLING	1
018	46.08952.00	PLASTIC PLATE	1
019	46.08953.00	PLASTIC PLATE	1
020	635.04513.66	SCREW DIN7981 ST 4.8X13	13
021	46.08706.00	CENTRAL CONSOLE COVER	1
022	46.08707.00	LEFT SEAT COATING	1
023	46.08708.00	RIGHT SEAT COATING	1
024	46.00691.00	CENTRAL CONSOLE COATING	1
025	48.08888.00	REDUCED HEIGHT SEAT GRAMMER SUSP	1
026	46.05118.00	ADHESIVE PVC STRIPE 10X5X30	2
027	633.080025.86	SCREW M8X25X1.25 DIN912	8
028	46.08925.00	SEAT SUPPORT FIXING GRAMMER	2
029	46.82135.00	ASHTRAY 274100 BLACK	1
030	46.08951.00	PLASTIC PLATE	1
031	46.08950.01	ALUMINIUM PLATE 167X282X2	1
032	MA.10025.00	CABLE GROMMET	1
033	46.08913.00	SCREW M5X14 BLACK NYLON PHILIPS	4
034	46.08915.00	INSERTED NUT	4
035	46.50349.01	ARTIFICIAL LEATHER DUST PROTECTOR	1
036	46.11164.01	JOYSTICK	1

08. BODYWORK

INTERIOR CABIN (RIGHT DRIVING)

CHASSIS: 82376

FIGURE	REFERENCE	DENOMINATION	AMOUNT
037	46.03728.03	PIN SUPPORT 15X30X107	1
038	46.03154.00	AXLE CYL/SCR 180XD25XM10	1
039	46.03023.01	HYDROSTATIC PUMP CONTROL CABLE	1
040	46.00006.00	FAST NUT TRS-M4	4
041	46.84972.00	CLAMP UNION LIMIT	4
042	46.08013.02	COMPLETE DASHBOARD	1
043	MA.10009.00	WASHER DIN9021 6X18X1,5	17
044	46.08711.00	SCREW DIN7985 M6x25	4
045	46.08712.00	SCREW DIN7985 M6x35	4
046	46.08563.00	HEATER GRID	4

047	46.08564.00	AIR GRID P29 BIS BLACK	2
048	46.11076.00	HEIGHT ADJUSTMENT CONTROL FOR LIGHTS AUSA46	1
049	46.11150.03	INSTRUMENT PANEL	1
050	46.81112.00	GLOVE COMPARTMENT	1
051	46.80122.00	KEY&LOCK SET	1
052	46.00369.00	BALL VALVE D11	1
053	46.08556.00	FIXING SUPPORT	2
054	46.08040.01	3 POINT BELT	2
055	46.08713.00	HOSE CLAMP 12-22	6
056	46.82312.01	RIGHT SUPPLEMENT DASHBOARD	1
057	46.82121.01	LEFT SUPPLEMENT DASHBOARD	1
058	46.82120.01	PLASTIC CAP	14
059	46.08714.00	RIGHT HEATING SUPPORT FIXATION	1
060	46.82115.01	HEATING/AIR CONDITIONING	1
061	635.04819.66	SCREW DIN7981 ST 4.8x19	19
062	46.08107.00	HEATING COATING COVER	1
063	46.05709.00	BREAKING CABLE D3,5x1830	1
064	46.08716.00	HEATING HANDLE HUB CAP	1
065	46.08717.00	LEFT HEATING FIXING SUPPORT	1
066	46.08718.00	REAR-VIEW MIRROR REGULATION CONTROL	1
067	46.00043.00	LIGHT COLUMN REGULATION CONTROL	1
068	48.08889.00	REDUCED HEIGHT SEAT GRAMMER SUSP	2
069	46.08719.00	AIR CONDITIONING SUPPORT	1
070	46.08720.00	RUBBER CABLE GROMMET 3/8	1
071	46.00814.00		1
072	46.08721.00	HEATER PIPE 620MM	1

08. BODYWORK

INTERIOR CABIN (RIGHT DRIVING)

CHASSIS: 82376

FIGURE	REFERENCE	DENOMINATION	AMOUNT
073	46.08722.00	HEATER PIPE 370MM	1
074	46.08723.00	HEATER PIPE 250MM	1
075	720.06000.66	NUT	7
076	46.08801.00	HYDRAULIC HOSE R1T3/8 5/8 AIR/CONDITION	1
077	46.08802.00	HYDRAULIC HOSE R1T3/8 7/8 AIR/CONDITION	1
078	46.09730.00	FITTING M/M 7/8 UNF	1
079	46.09733.00	FITTING M/M 5/8 UNF	1
080	46.09736.00	CAP 7/8 UNF	1
081	46.09737.00	CAP 5/8 UNF	1
082	46.08789.00	BOLT DIN7985 M5x20	1
083	101.05000.66	WASHER DIN125 D5	1

084	46.08725.00	BUSHING 20x11x15	4
085	46.08726.00	ADHESIVE, 12x12x50	2
086	46.08727.00	ADHESIVE, 10x5x600	2
087	701.06000.66	NUT DIN934 M6X1	3
088	113.06000.66	WASHER DIN6798 A Ø6	4
089	46.11168.00	THROTTLE CABLE EURO IV	1
090	630.04010.96		13
091	720.04000.66	NUT DIN985 M4	13
092	46.03023.99	SENSOR WITH SENSOR MOUNT	1
093	701.05000.66	NUT DIN934 M5x0.8	1
094	720.05000.66	NUT DIN985 M5	1
095	46.08911.00		2
096	46.08910.00		2
097	46.01306.00		4
098	46.08016.01		1
099	46.97455.00	PEDALS SUPPORT REINFORCEMENT	1
100	46.80130.00	PEDALS COVER	1

08. BODYWORK

INTERIOR CABIN (LEFT DRIVING)



FIGURE	REFERENCE	DENOMINATION	AMOUNT
001	46.08254.00	BREAKING PEDAL/THROTTLE PEDAL ASSEMBLY	1
002	101.08000.66	WASHER DIN125 D8	4
003	720.08000.66	NUT DIN985 M8 AUTOLOCKING	4

004	46.50350.01	DUST PROTECTOR BASE FOR JOYSTICK	1
005	46.08701.00	AIR FILTER GRID	1
006	46.08702.00	AIR FILTER PPI 20	2
007	46.08572.00	SCREW DIN7985 M5X12	8
008	46.08615.00	SCREW 6x20 PHILIPS DIN7985	5
009	46.08150.62	ADHESIVE JOINT ORBITRON	1
010	46.06201.02	STEERING COLUMN	1
011	46.06356.02	STEERING WHEEL WITH KNOB	1
012	101.10000.66	WASHER DIN125 D10	4
013	603.10020.86	SCREW DIN933 M10x20	4
014	46.08188.00	LEFT CARPET	1
015	46.08703.00	LEFT CARPET	1
016	46.08189.00	RIGHT CARPET	1
017	46.08705.00	RIGHT CARPET	1
018	46.08952.00	PLASTIC PLATE	1
019	46.08953.00	PLASTIC PLATE	1
020	635.04513.66	SCREW DIN7981 ST 4.8X13	13
021	46.08706.00	CENTRAL CONSOLE COVER	1
022	46.08707.00	LEFT SEAT COATING	1
023	46.08708.00	RIGHT SEAT COATING	1
024	46.00691.00	CENTRAL CONSOLE COATING	1
025	46.08124.00	DRIVER SEAT WITH SUSPENSION	1
026	46.05118.00	ADHESIVE PVC STRIPE 10X5X30	2
027	633.080025.86	SCREW M8X25X1.25 DIN912	8
028	46.08126.00	CO-DRIVER SEAT WITH SUSPENSION	1
029	46.82135.00	ASHTRAY 274100 BLACK	1
030	46.08951.00	PLASTIC PLATE	1
031	46.08950.01	ALUMINIUM PLATE 167X282X2	1
032	MA.10025.00	CABLE GROMMET	1
033	46.08913.00	SCREW M5X14 BLACK NYLON PHILIPS	4
034	46.08915.00	INSERTED NUT	4
035	46.50349.01	ARTIFICIAL LEATHER DUST PROTECTOR	1
036	46.11164.01	JOYSTICK	1

08. BODYWORK

INTERIOR CABIN (LEFT DRIVING)

FIGURE	REFERENCE	DENOMINATION	AMOUNT
037	46.03728.03	PIN SUPPORT 15X30X107	1
038	46.03154.00	AXLE CYL/SCR 180XD25XM10	1
039	46.03023.01	HYDROSTATIC PUMP CONTROL CABLE	1
040	46.00006.00	FAST NUT TRS-M4	4

041	46.84972.00	CLAMP UNION LIMIT	4
042	46.08013.01	PANEL M250H EUROIV	1
043	MA.10009.00	WASHER DIN9021 6X18X1,5	17
044	46.08711.00	SCREW DIN7985 M6x25	4
045	46.08712.00	SCREW DIN7985 M6x35	4
046	46.08563.00	HEATER GRID	4
047	46.08564.00	AIR GRID P29 BIS BLACK	2
048	46.11076.00	HEIGHT ADJUSTMENT CONTROL FOR LIGHTS AUSA46	1
049	46.11150.05		1
050	46.81112.00	GLOVE COMPARTMENT	1
051	46.80122.00	KEY&LOCK SET	1
052	46.00369.00	BALL VALVE D11	1
053	46.08556.00	FIXING SUPPORT	2
054	46.08040.01	3 POINT BELT	2
055	46.08713.00	HOSE CLAMP 12-22	6
056	46.82312.01	RIGHT SUPPLEMENT DASHBOARD	1
057	46.82121.01	LEFT SUPPLEMENT DASHBOARD	1
058	46.82120.01	PLASTIC CAP	14
059	46.08714.00	RIGHT HEATING SUPPORT FIXATION	1
060	46.82115.01	HEATING/AIR CONDITIONING	1
061	635.04819.66	SCREW DIN7981 ST 4.8x19	19
062	46.08715.00	CASE	1
063	02.00920.00	BRAKE CABLE 200RM	1
064	46.08716.00	HEATING HANDLE HUB CAP	1
065	46.08717.00	LEFT HEATING FIXING SUPPORT	1
066	46.08718.00	REAR-VIEW MIRROR REGULATION CONTROL	1
067	46.00043.00	LIGHT COLUMN REGULATION CONTROL	1
068	46.08127.00	HEAD REST	2
069	46.08719.00	AIR CONDITIONING SUPPORT	1
070	46.08720.00	RUBBER CABLE GROMMET 3/8	1
071	46.00814.00		1
072	46.08721.00	HEATER PIPE 620MM	1

08. BODYWORK

INTERIOR CABIN (LEFT DRIVING)

FIGURE	REFERENCE	DENOMINATION	AMOUNT
073	46.08722.00	HEATER PIPE 370MM	1
074	46.08723.00	HEATER PIPE 250MM	1
075	720.06000.66	NUT	7
076	46.08801.00	HYDRAULIC HOSE R1T3/8 5/8 AIR/CONDITION	1
077	46.08802.00	HYDRAULIC HOSE R1T3/8 7/8 AIR/CONDITION	1

078	46.09730.00	FITTING M/M 7/8 UNF	1
079	46.09733.00	FITTING M/M 5/8 UNF	1
080	46.09736.00	CAP 7/8 UNF	1
081	46.09737.00	CAP 5/8 UNF	1
082	46.08789.00	BOLT DIN7985 M5x20	1
083	101.05000.66	WASHER DIN125 D5	1
084	46.08725.00	BUSHING 20x11x15	4
085	46.08726.00	ADHESIVE, 12x12x50	2
086	46.08727.00	ADHESIVE, 10x5x600	2
087	701.06000.66	NUT DIN934 M6X1	3
088	113.06000.66	WASHER DIN6798 A Ø6	4
089	46.11168.01		1
090	630.04010.96		13
091	720.04000.66	NUT DIN985 M4	13
092	46.03023.99	SENSOR WITH SENSOR MOUNT	1
093	701.05000.66	NUT DIN934 M5x0.8	1
094	720.05000.66	NUT DIN985 M5	1
095	46.08911.00		2
096	46.08910.00		2
097	46.01306.00		4
098	46.08016.01		1
099	46.97455.00	PEDALS SUPPORT REINFORCEMENT	1
100	46.80130.00	PEDALS COVER	1

08. BODYWORK
INTERIOR CABIN (LEFT DRIVING)
 CHASSIS: 82376

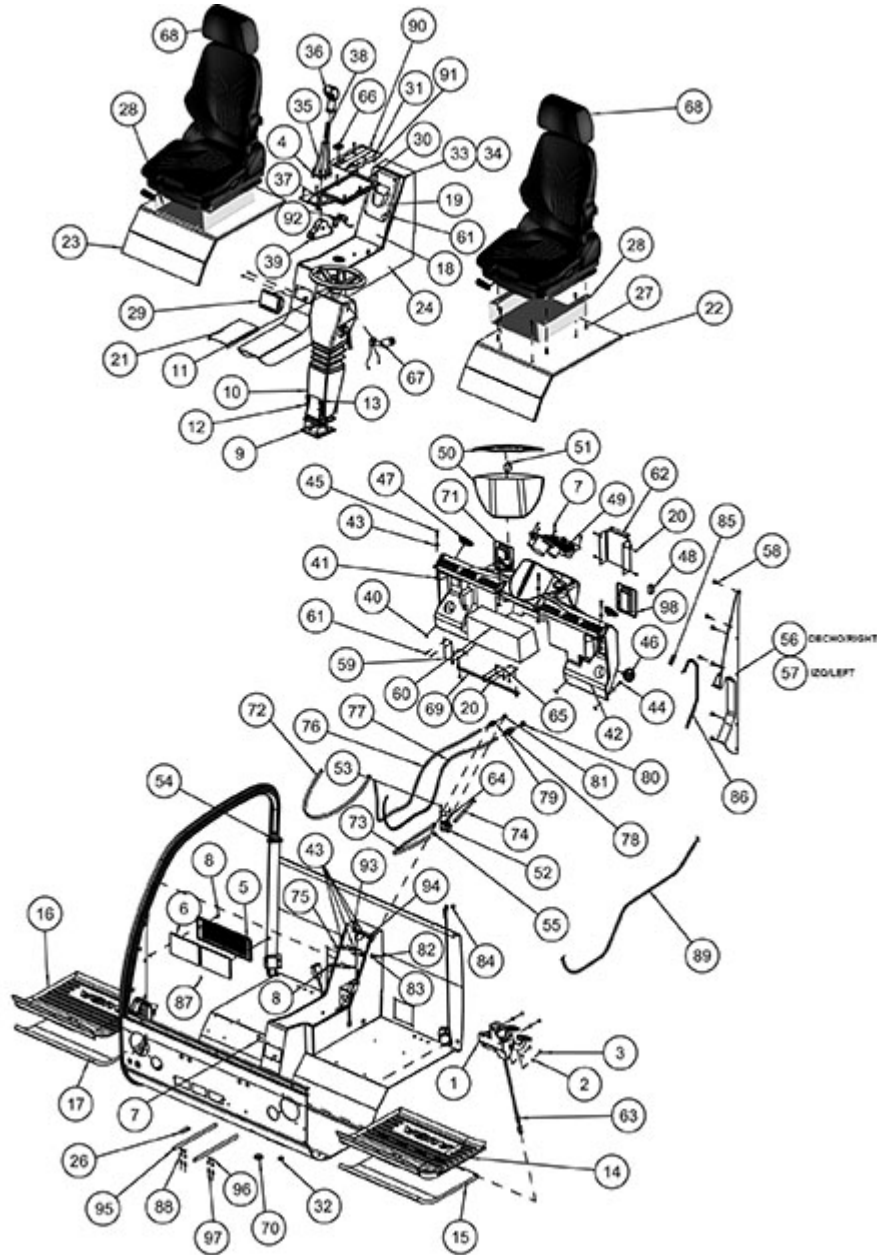


FIGURE	REFERENCE	DENOMINATION	AMOUNT
001	46.08254.00	BREAKING PEDAL/THROTTLE PEDAL ASSEMBLY	1
002	101.08000.66	WASHER DIN125 D8	4
003	720.08000.66	NUT DIN985 M8 AUTOLOCKING	4
004	46.50350.01	DUST PROTECTOR BASE FOR JOYSTICK	1
005	46.08701.00	AIR FILTER GRID	1
006	46.08702.00	AIR FILTER PPI 20	2
007	46.08572.00	SCREW DIN7985 M5X12	8
008	46.08615.00	SCREW 6x20 PHILIPS DIN7985	5
009	46.08150.62	ADHESIVE JOINT ORBITRON	1
010	46.06201.02	STEERING COLUMN	1

011	13.06131.00	ADDRESS FLYWHEEL D380X110 PP017	1
012	101.10000.66	WASHER DIN125 D10	4
013	603.10020.86	SCREW DIN933 M10x20	4
014	46.08188.00	LEFT CARPET	1
015	46.08703.00	LEFT CARPET	1
016	46.08189.00	RIGHT CARPET	1
017	46.08705.00	RIGHT CARPET	1
018	46.08952.00	PLASTIC PLATE	1
019	46.08953.00	PLASTIC PLATE	1
020	635.04513.66	SCREW DIN7981 ST 4.8X13	13
021	46.08706.00	CENTRAL CONSOLE COVER	1
022	46.08707.00	LEFT SEAT COATING	1
023	46.08708.00	RIGHT SEAT COATING	1
024	46.00691.00	CENTRAL CONSOLE COATING	1
026	46.05118.00	ADHESIVE PVC STRIPE 10X5X30	2
027	633.080025.86	SCREW M8X25X1.25 DIN912	8
028	46.08925.00	SEAT SUPPORT FIXING GRAMMER	2
029	46.82135.00	ASHTRAY 274100 BLACK	1
030	46.08951.00	PLASTIC PLATE	1
031	46.08950.01	ALUMINIUM PLATE 167X282X2	1
032	MA.10025.00	CABLE GROMMET	1
033	46.08913.00	SCREW M5X14 BLACK NYLON PHILIPS	4
034	46.08915.00	INSERTED NUT	4
035	46.50349.01	ARTIFICIAL LEATHER DUST PROTECTOR	1
036	46.11164.01	JOYSTICK	1
037	46.03728.03	PIN SUPPORT 15X30X107	1

08. BODYWORK

INTERIOR CABIN (LEFT DRIVING)

CHASSIS: 82376

FIGURE	REFERENCE	DENOMINATION	AMOUNT
038	46.03154.00	AXLE CYL/SCR 180XD25XM10	1
039	46.03023.01	HYDROSTATIC PUMP CONTROL CABLE	1
040	46.00006.00	FAST NUT TRS-M4	4
041	46.84972.00	CLAMP UNION LIMIT	4
042	46.08013.01	PANEL M250H EUROIV	1
043	MA.10009.00	WASHER DIN9021 6X18X1,5	17
044	46.08711.00	SCREW DIN7985 M6x25	4
045	46.08712.00	SCREW DIN7985 M6x35	4
046	46.08563.00	HEATER GRID	4
047	46.08564.00	AIR GRID P29 BIS BLACK	2
048	46.11076.00	HEIGHT ADJUSTMENT CONTROL FOR LIGHTS AUSA46	1

049	46.11150.05		1
050	46.81112.00	GLOVE COMPARTMENT	1
051	46.80122.00	KEY&LOCK SET	1
052	46.00369.00	BALL VALVE D11	1
053	46.08556.00	FIXING SUPPORT	2
054	46.08040.01	3 POINT BELT	2
055	46.08713.00	HOSE CLAMP 12-22	6
056	46.82312.01	RIGHT SUPPLEMENT DASHBOARD	1
057	46.82121.01	LEFT SUPPLEMENT DASHBOARD	1
058	46.82120.01	PLASTIC CAP	14
059	46.08714.00	RIGHT HEATING SUPPORT FIXATION	1
060	46.82115.01	HEATING/AIR CONDITIONING	1
061	635.04819.66	SCREW DIN7981 ST 4.8x19	19
062	46.08715.00	CASE	1
063	02.00920.00	BRAKE CABLE 200RM	1
064	46.08716.00	HEATING HANDLE HUB CAP	1
065	46.08717.00	LEFT HEATING FIXING SUPPORT	1
066	46.08718.00	REAR-VIEW MIRROR REGULATION CONTROL	1
067	46.00043.00	LIGHT COLUMN REGULATION CONTROL	1
068	48.08889.00	REDUCED HEIGHT SEAT GRAMMER SUSP	2
069	46.08719.00	AIR CONDITIONING SUPPORT	1
070	46.08720.00	RUBBER CABLE GROMMET 3/8	1
071	46.00814.00		1
072	46.08721.00	HEATER PIPE 620MM	1
073	46.08722.00	HEATER PIPE 370MM	1

08. BODYWORK

INTERIOR CABIN (LEFT DRIVING)

CHASSIS: 82376

FIGURE	REFERENCE	DENOMINATION	AMOUNT
074	46.08723.00	HEATER PIPE 250MM	1
075	720.06000.66	NUT	7
076	46.08801.00	HYDRAULIC HOSE R1T3/8 5/8 AIR/CONDITION	1
077	46.08802.00	HYDRAULIC HOSE R1T3/8 7/8 AIR/CONDITION	1
078	46.09730.00	FITTING M/M 7/8 UNF	1
079	46.09733.00	FITTING M/M 5/8 UNF	1
080	46.09736.00	CAP 7/8 UNF	1
081	46.09737.00	CAP 5/8 UNF	1
082	46.08789.00	BOLT DIN7985 M5x20	1
083	101.05000.66	WASHER DIN125 D5	1
084	46.08725.00	BUSHING 20x11x15	4
085	46.08726.00	ADHESIVE, 12x12x50	2

086	46.08727.00	ADHESIVE, 10x5x600	2
087	701.06000.66	NUT DIN934 M6X1	3
088	113.06000.66	WASHER DIN6798 A Ø6	4
089	46.11168.01		1
090	630.04010.96		13
091	720.04000.66	NUT DIN985 M4	13
092	46.03023.99	SENSOR WITH SENSOR MOUNT	1
093	701.05000.66	NUT DIN934 M5x0.8	1
094	720.05000.66	NUT DIN985 M5	1
095	46.08911.00		2
096	46.08910.00		2
097	46.01306.00		4
098	46.08016.01		1
099	46.97455.00	PEDALS SUPPORT REINFORCEMENT	1
100	46.80130.00	PEDALS COVER	1

08. BODYWORK
INTERIOR CABIN (LEFT DRIVING)
 CHASSIS: 82376

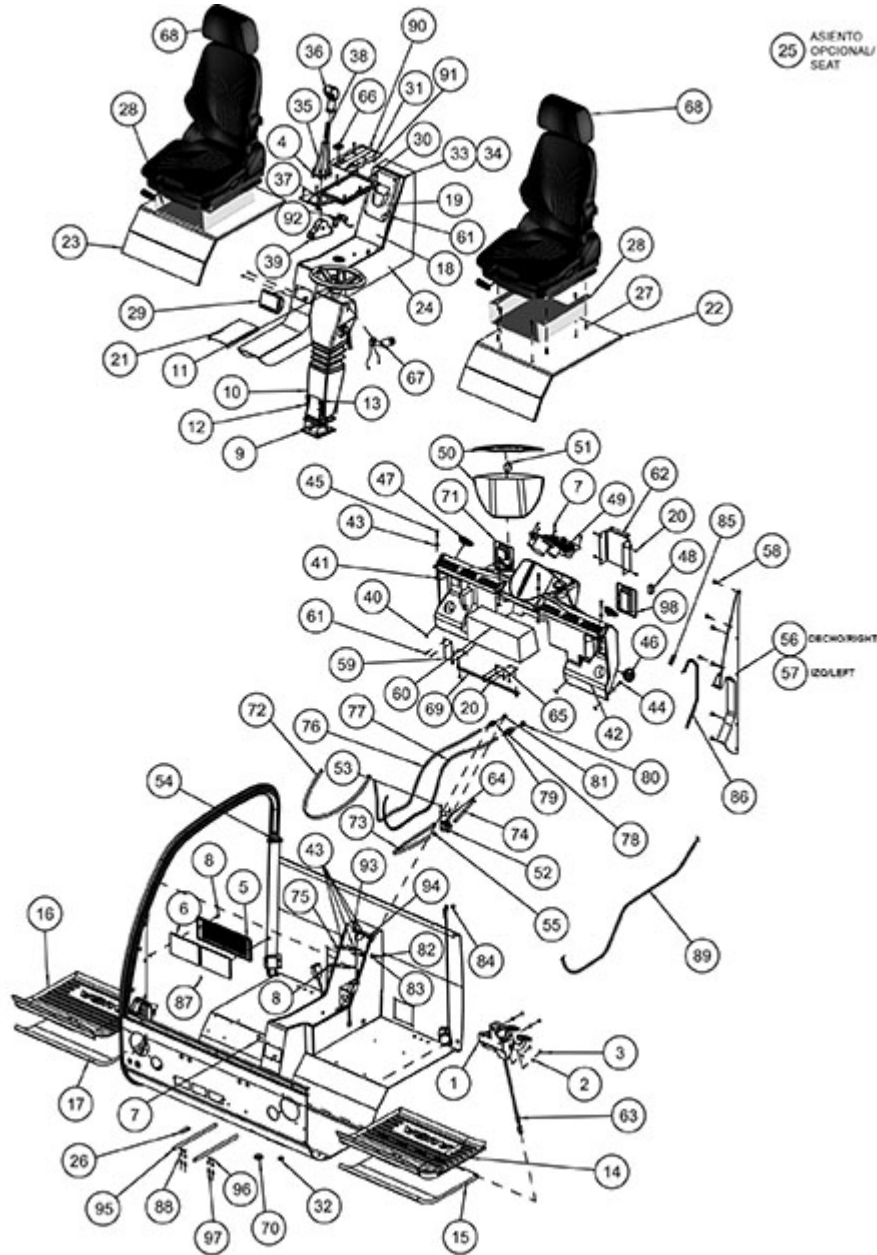


FIGURE	REFERENCE	DENOMINATION	AMOUNT
001	46.08254.00	BREAKING PEDAL/THROTTLE PEDAL ASSEMBLY	1
002	101.08000.66	WASHER DIN125 D8	4
003	720.08000.66	NUT DIN985 M8 AUTOLOCKING	4
004	46.50350.01	DUST PROTECTOR BASE FOR JOYSTICK	1
005	46.08701.00	AIR FILTER GRID	1
006	46.08702.00	AIR FILTER PPI 20	2
007	46.08572.00	SCREW DIN7985 M5X12	8
008	46.08615.00	SCREW 6x20 PHILIPS DIN7985	5
009	46.08150.62	ADHESIVE JOINT ORBITRON	1
010	46.06201.02	STEERING COLUMN	1

011	13.06131.00	ADDRESS FLYWHEEL D380X110 PP017	1
012	101.10000.66	WASHER DIN125 D10	4
013	603.10020.86	SCREW DIN933 M10x20	4
014	46.08188.00	LEFT CARPET	1
015	46.08703.00	LEFT CARPET	1
016	46.08189.00	RIGHT CARPET	1
017	46.08705.00	RIGHT CARPET	1
018	46.08952.00	PLASTIC PLATE	1
019	46.08953.00	PLASTIC PLATE	1
020	635.04513.66	SCREW DIN7981 ST 4.8X13	13
021	46.08706.00	CENTRAL CONSOLE COVER	1
022	46.08707.00	LEFT SEAT COATING	1
023	46.08708.00	RIGHT SEAT COATING	1
024	46.00691.00	CENTRAL CONSOLE COATING	1
025	48.08888.00	REDUCED HEIGHT SEAT GRAMMER SUSP	1
026	46.05118.00	ADHESIVE PVC STRIPE 10X5X30	2
027	633.080025.86	SCREW M8X25X1.25 DIN912	8
028	46.08925.00	SEAT SUPPORT FIXING GRAMMER	2
029	46.82135.00	ASHTRAY 274100 BLACK	1
030	46.08951.00	PLASTIC PLATE	1
031	46.08950.01	ALUMINIUM PLATE 167X282X2	1
032	MA.10025.00	CABLE GROMMET	1
033	46.08913.00	SCREW M5X14 BLACK NYLON PHILIPS	4
034	46.08915.00	INSERTED NUT	4
035	46.50349.01	ARTIFICIAL LEATHER DUST PROTECTOR	1
036	46.11164.01	JOYSTICK	1

08. BODYWORK

INTERIOR CABIN (LEFT DRIVING)

CHASSIS: 82376

FIGURE	REFERENCE	DENOMINATION	AMOUNT
037	46.03728.03	PIN SUPPORT 15X30X107	1
038	46.03154.00	AXLE CYL/SCR 180XD25XM10	1
039	46.03023.01	HYDROSTATIC PUMP CONTROL CABLE	1
040	46.00006.00	FAST NUT TRS-M4	4
041	46.84972.00	CLAMP UNION LIMIT	4
042	46.08013.01	PANEL M250H EUROIV	1
043	MA.10009.00	WASHER DIN9021 6X18X1,5	17
044	46.08711.00	SCREW DIN7985 M6x25	4
045	46.08712.00	SCREW DIN7985 M6x35	4
046	46.08563.00	HEATER GRID	4
047	46.08564.00	AIR GRID P29 BIS BLACK	2

048	46.11076.00	HEIGHT ADJUSTMENT CONTROL FOR LIGHTS AUSA46	1
049	46.11150.05		1
050	46.81112.00	GLOVE COMPARTMENT	1
051	46.80122.00	KEY&LOCK SET	1
052	46.00369.00	BALL VALVE D11	1
053	46.08556.00	FIXING SUPPORT	2
054	46.08040.01	3 POINT BELT	2
055	46.08713.00	HOSE CLAMP 12-22	6
056	46.82312.01	RIGHT SUPPLEMENT DASHBOARD	1
057	46.82121.01	LEFT SUPPLEMENT DASHBOARD	1
058	46.82120.01	PLASTIC CAP	14
059	46.08714.00	RIGHT HEATING SUPPORT FIXATION	1
060	46.82115.01	HEATING/AIR CONDITIONING	1
061	635.04819.66	SCREW DIN7981 ST 4.8x19	19
062	46.08715.00	CASE	1
063	02.00920.00	BRAKE CABLE 200RM	1
064	46.08716.00	HEATING HANDLE HUB CAP	1
065	46.08717.00	LEFT HEATING FIXING SUPPORT	1
066	46.08718.00	REAR-VIEW MIRROR REGULATION CONTROL	1
067	46.00043.00	LIGHT COLUMN REGULATION CONTROL	1
068	48.08889.00	REDUCED HEIGHT SEAT GRAMMER SUSP	2
069	46.08719.00	AIR CONDITIONING SUPPORT	1
070	46.08720.00	RUBBER CABLE GROMMET 3/8	1
071	46.00814.00		1
072	46.08721.00	HEATER PIPE 620MM	1

08. BODYWORK

INTERIOR CABIN (LEFT DRIVING)

CHASSIS: 82376

FIGURE	REFERENCE	DENOMINATION	AMOUNT
073	46.08722.00	HEATER PIPE 370MM	1
074	46.08723.00	HEATER PIPE 250MM	1
075	720.06000.66	NUT	7
076	46.08801.00	HYDRAULIC HOSE R1T3/8 5/8 AIR/CONDITION	1
077	46.08802.00	HYDRAULIC HOSE R1T3/8 7/8 AIR/CONDITION	1
078	46.09730.00	FITTING M/M 7/8 UNF	1
079	46.09733.00	FITTING M/M 5/8 UNF	1
080	46.09736.00	CAP 7/8 UNF	1
081	46.09737.00	CAP 5/8 UNF	1
082	46.08789.00	BOLT DIN7985 M5x20	1
083	101.05000.66	WASHER DIN125 D5	1
084	46.08725.00	BUSHING 20x11x15	4

085	46.08726.00	ADHESIVE, 12x12x50	2
086	46.08727.00	ADHESIVE, 10x5x600	2
087	701.06000.66	NUT DIN934 M6X1	3
088	113.06000.66	WASHER DIN6798 A Ø6	4
089	46.11168.01		1
090	630.04010.96		13
091	720.04000.66	NUT DIN985 M4	13
092	46.03023.99	SENSOR WITH SENSOR MOUNT	1
093	701.05000.66	NUT DIN934 M5x0.8	1
094	720.05000.66	NUT DIN985 M5	1
095	46.08911.00		2
096	46.08910.00		2
097	46.01306.00		4
098	46.08016.01		1
099	46.97455.00	PEDALS SUPPORT REINFORCEMENT	1
100	46.80130.00	PEDALS COVER	1

08. BODYWORK

CABIN ROOF (DRIVING RIGHT)



FIGURE	REFERENCE	DENOMINATION	AMOUNT
001	46.08784.00	NUMBER PLATE SHEET	1
002	720.06000.NX	NUT DIN985 M6 SELF-LOCK	2
003	701.06000.66	NUT DIN934 M6X1	8
004	46.08785.00	SUPPORT	2
005	46.08786.00	WASHER 5x15x1	6
006	46.08513.00	WASHER DIN6798 Ø8 CAB	4
007	603.08020.86	SCREW DIN933 M8x20	4
008	46.08787.00	LEFT LIGHTS COUPLING	1
008	46.08787.00R9001	LEFT LIGHTS COUPLING (WHITE COLOUR)	1
008	46.08787.00R9010		1
009	46.08788.00R9001	RIGHT LIGHTS COUPLING (WHITE COLOUR)	1
009	46.08788.00R9010		1
009	46.08788.00	RIGHT LIGHTS COUPLING	1
010	46.08570.01	CABIN RADIO SUPPORT	1
012	46.08789.00	BOLT DIN7985 M5x20	6

013	46.08790.00	SUPPORT	2
014	46.08791.00	BOLT DIN965 5x20	6
015	46.08792.00	SHEET	1
016	46.08611.01	BEACON	1
017	46.08793.00	BOLT DIN7985 4x16	2
018	720.04000.66	NUT DIN985 M4	2
019	46.08589.00	RADIO LODGING COVER	2
020	46.11203.00		2
021	46.08795.00	BOLT	4
022	46.11201.00	DRIVING LIGHT	2
023	46.08796.00	BOLT	8
024	46.11202.00	SHORT LIGHTS	2
025	720.05000.66	NUT DIN985 M5	2
026	46.82106.00	BUSHING	8
027	46.08587.00	FIXING SUPPORT	1
028	502.03012.60	RIVET.	2
029	46.08797.00	KIT SPEAKER	1
030	46.08798.00	RADIO BOX	1
032	46.08881.00		1
032	46.08881.00R9001		1
032	46.08881.00R9010		1

08. BODYWORK

CABIN ROOF (DRIVING RIGHT)

FIGURE	REFERENCE	DENOMINATION	AMOUNT
033	112.06000.NX	WASHER DIN9021 Ø6	10
034	46.00071.00	RUBBER WASHER	2
035	46.08882.00		1
035	46.08882.00R9001		1
035	46.08882.00R9010		1
036	712.06000.NX	NUT DIN1587 M6	8
037	46.08820.00	ROOF LINING	1
038	46.08720.00	RUBBER CABLE GROMMET 3/8	2
039	46.08821.00	T R/CH 3.9X22 DIN7982 ZN. NG	8
040	46.08822.00	SPEAKERS HITCH PIN	8
041	46.08792.01		1
042	630.10020.96		2
043	112.10500.NX	WASHER DIN9021 D 10.5x30x2.5	2
044	101.08000.66	WASHER DIN125 D8	4
045	46.08823.00	BOLT	8

08. BODYWORK

CABIN ROOF (DRIVING LEFT)



FIGURE	REFERENCE	DENOMINATION	AMOUNT
001	46.08784.00	NUMBER PLATE SHEET	1
002	720.06000.NX	NUT DIN985 M6 SELF-LOCK	2
003	701.06000.66	NUT DIN934 M6X1	8
004	46.08785.00	SUPPORT	2
005	46.08786.00	WASHER 5x15x1	6
006	46.08513.00	WASHER DIN6798 Ø8 CAB	4
007	603.08020.86	SCREW DIN933 M8x20	4
008	46.08787.00	LEFT LIGHTS COUPLING	1
008	46.08787.00R9001	LEFT LIGHTS COUPLING (WHITE COLOUR)	1
008	46.08787.00R9010		1
009	46.08788.00R9001	RIGHT LIGHTS COUPLING (WHITE COLOUR)	1
009	46.08788.00R9010		1
009	46.08788.00	RIGHT LIGHTS COUPLING	1
010	46.08570.01	CABIN RADIO SUPPORT	1

011	46.09893.00	RADIO SUPPORT	1
012	46.08789.00	BOLT DIN7985 M5x20	6
013	46.08790.00	SUPPORT	2
014	46.08791.00	BOLT DIN965 5x20	6
015	46.08792.00	SHEET	1
016	46.08611.01	BEACON	1
017	46.08793.00	BOLT DIN7985 4x16	2
018	720.04000.66	NUT DIN985 M4	2
019	46.08589.00	RADIO LODGING COVER	2
020	46.11203.00		2
021	46.08795.00	BOLT	4
022	46.11201.00	DRIVING LIGHT	2
023	46.08796.00	BOLT	8
024	46.11202.00	SHORT LIGHTS	2
025	720.05000.66	NUT DIN985 M5	2
026	46.82106.00	BUSHING	8
027	46.08587.00	FIXING SUPPORT	1
028	502.03012.60	RIVET.	2
029	46.08797.00	KIT SPEAKER	1
030	46.08798.00	RADIO BOX	1
031	46.11035.01		1
032	46.08881.00		1

08. BODYWORK

CABIN ROOF (DRIVING LEFT)

FIGURE	REFERENCE	DENOMINATION	AMOUNT
032	46.08881.00R9001		1
032	46.08881.00R9010		1
033	112.06000.NX	WASHER DIN9021 Ø6	10
034	46.00071.00	RUBBER WASHER	2
035	46.08882.00		1
035	46.08882.00R9001		1
035	46.08882.00R9010		1
036	712.06000.NX	NUT DIN1587 M6	8
037	46.08820.00	ROOF LINING	1
038	46.08720.00	RUBBER CABLE GROMMET 3/8	2
039	46.08821.00	T R/CH 3.9X22 DIN7982 ZN. NG	8
040	46.08822.00	SPEAKERS HITCH PIN	8
041	46.08792.01		1
042	630.10020.96		2
043	112.10500.NX	WASHER DIN9021 D 10.5x30x2.5	2



044	101.08000.66	WASHER DIN125 D8	4
045	46.08823.00	BOLT	8

09. MACHINE FUNCTIONS

SUCTION TUBE (1)

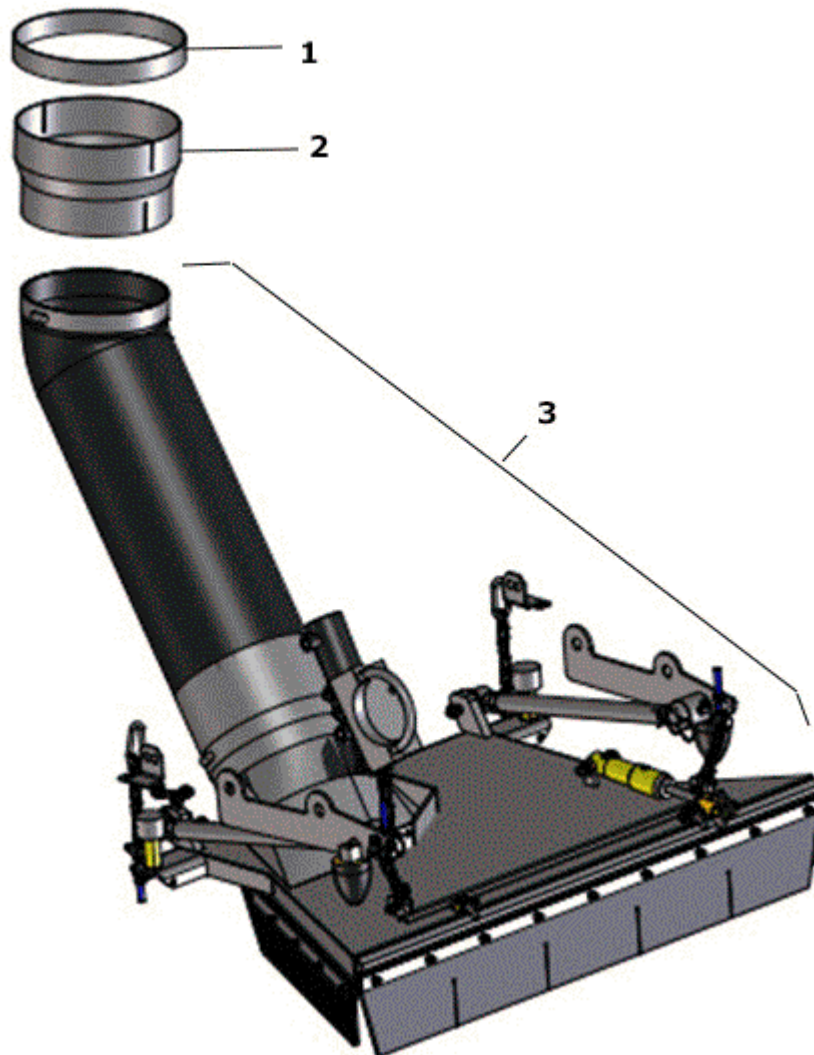


FIGURE	REFERENCE	DENOMINATION	AMOUNT
001	912.22630.66	FLANGE. W2 MIKALOR D213-22 INOX	1
002	46.95775.00	FUNNEL D199XD220	1
003	46.95600.12	VACUUM TUBE AND MOUTH 4X4	1

09. MACHINE FUNCTIONS

SUCTION TUBE (1)

CHASSIS: 66596

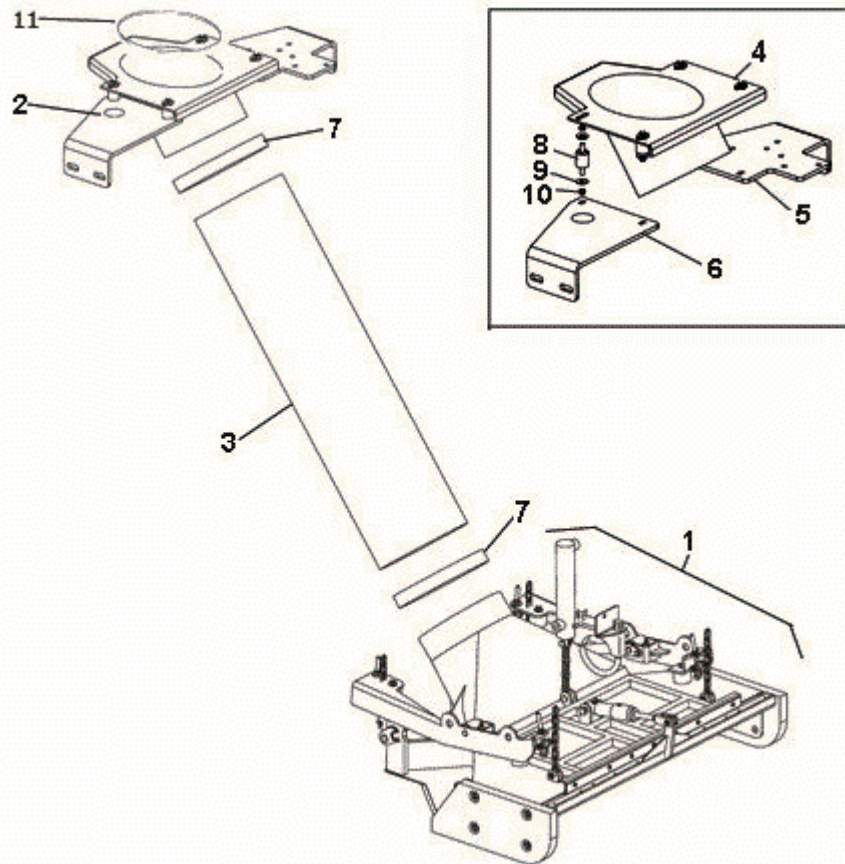


FIGURE	REFERENCE	DENOMINATION	AMOUNT
001	46.95770.00	SUCTION NOZZLE B400H F	1
002	46.95681.01	VACUUM TUBE SUPPORT PLATE	1
003	46.95643.01	VACUUM TUBE SUPPORT PLATE D220X880	1
004	46.95641.01	MOUNTING BRACKET SUCTION MOUTH	1
005	46.95650.02	VACUUM TUBE MEDIA GUIDE	1
006	46.95650.03	VACUUM TUBE MEDIA GUIDE	1
007	912.26239.66	CLAMP. SUPRA MIKALOR	2
008	46.95642.00	FLANGE. W2 MIKALOR D213-22 INOX	4
009	112.08000.66	WASHER DIN9021 D8	8
010	711.08000.66	NUT DIN982 M8	8
011	RICA0060-035	PROFILE D220mm	1

09. MACHINE FUNCTIONS

SUCTION TUBE (1)

CHASSIS: 77651

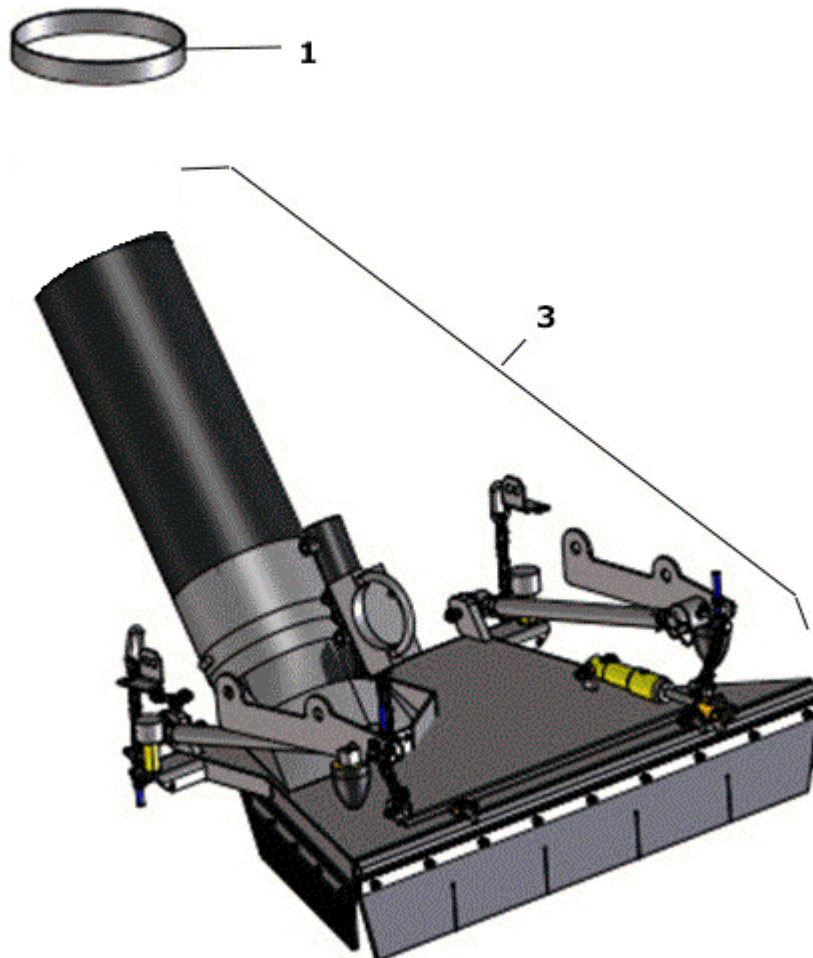


FIGURE	REFERENCE	DENOMINATION	AMOUNT
001	912.26239.66	CLAMP. SUPRA MIKALOR	2
003	46.95600.23	VACUUM TUBE AND MOUTH 4X4	1

COMMENTS

MOD.5780

09. MACHINE FUNCTIONS

SUCTION TUBE (2)

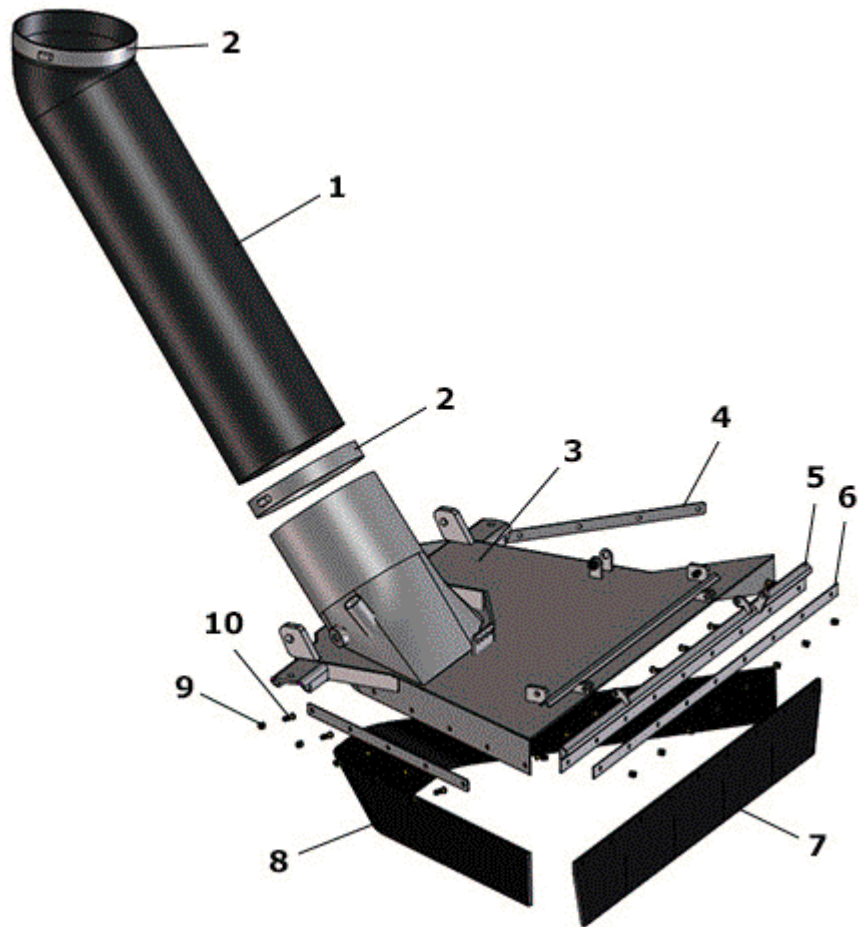


FIGURE	REFERENCE	DENOMINATION	AMOUNT
001	46.95643.02	VACUUM TUBE D200XD202.2X950	1
002	912.20028.66		2
003	46.95601.01	ASPIRATION TUBE CASE 4X4	1
004	46.95722.00	REINFORCEMENT FLEJE 2X20	1
005	46.95797.00	COVER. MOUTH B400H 4X4	1
006	46.95660.00		1
007	46.95721.00	MOUTH COVER RUBBER PROFILE 4X4	1
008	46.95796.00	RUBBER PROFILE	1
010	630.06020.96	SCREW ISO7380 M6x20	23

09. MACHINE FUNCTIONS

SUCTION TUBE (2)

CHASSIS: 66596

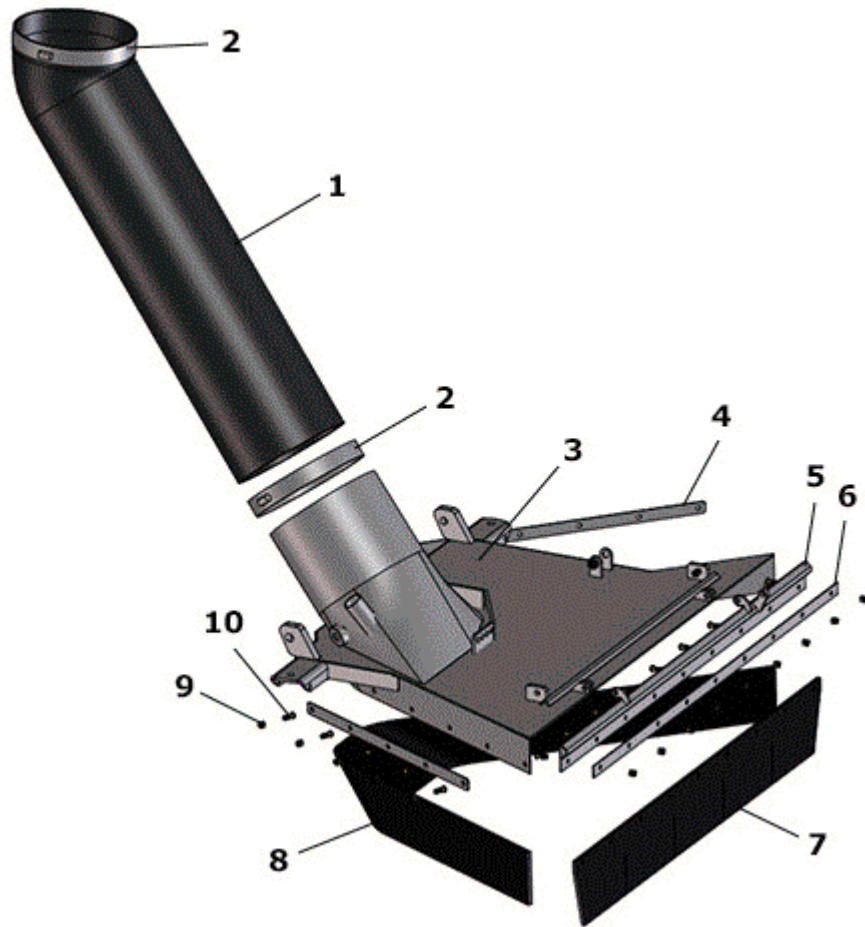


FIGURE	REFERENCE	DENOMINATION	AMOUNT
002	912.20028.66		2
003	46.95601.01	ASPIRATION TUBE CASE 4X4	1
004	46.95722.00	REINFORCEMENT FLEJE 2X20	1
005	46.95797.00	COVER. MOUTH B400H 4X4	1
006	46.95660.00		1
007	46.95721.00	MOUTH COVER RUBBER PROFILE 4X4	1
008	46.95796.00	RUBBER PROFILE	1
010	630.06020.96	SCREW ISO7380 M6x20	23

09. MACHINE FUNCTIONS

SUCTION TUBE (2)

CHASSIS: 77651

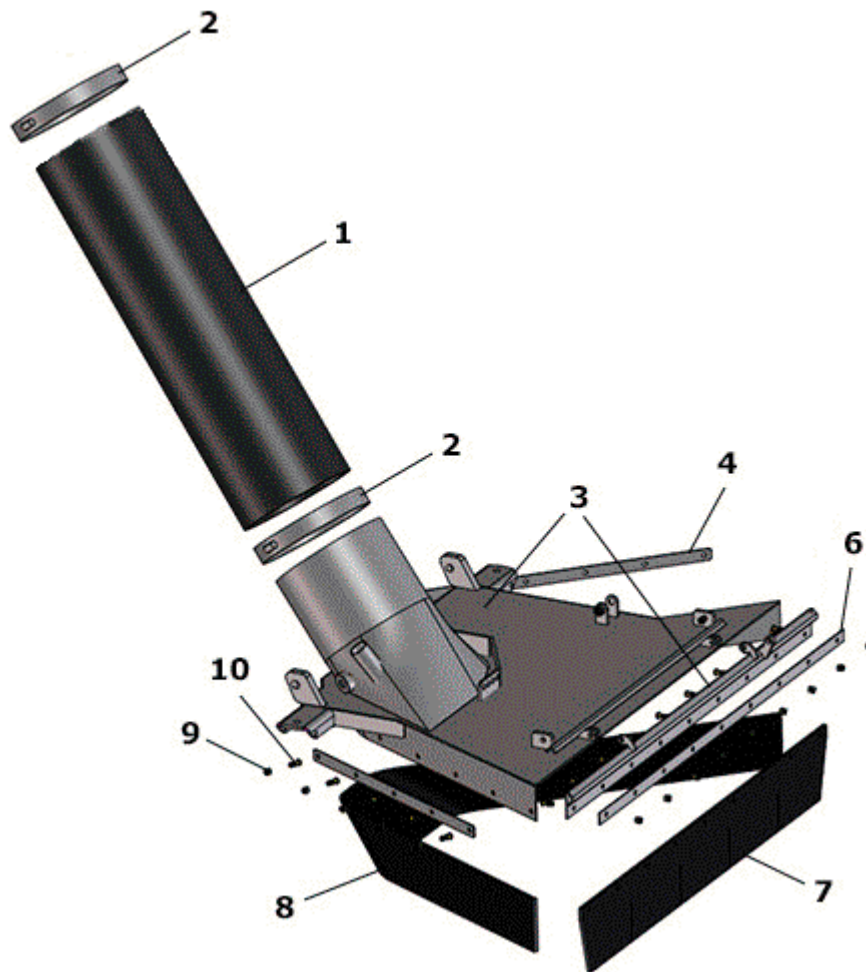


FIGURE	REFERENCE	DENOMINATION	AMOUNT
001	46.95643.01	VACUUM TUBE SUPPORT PLATE D220X880	1
002	912.20028.66		2
003	46.95777.00	SUCTION MOUTH B400H X4	1
004	46.95722.00	REINFORCEMENT FLEJE 2X20	1
006	46.95660.00		1
007	46.95721.00	MOUTH COVER RUBBER PROFILE 4X4	1
008	46.95796.00	RUBBER PROFILE	1
009	711.06000.66	NUT DIN982 M6	23
010	630.06020.96	SCREW ISO7380 M6x20	23

COMMENTS

MOD.5780

09. MACHINE FUNCTIONS

SUCTION TUBE (3)

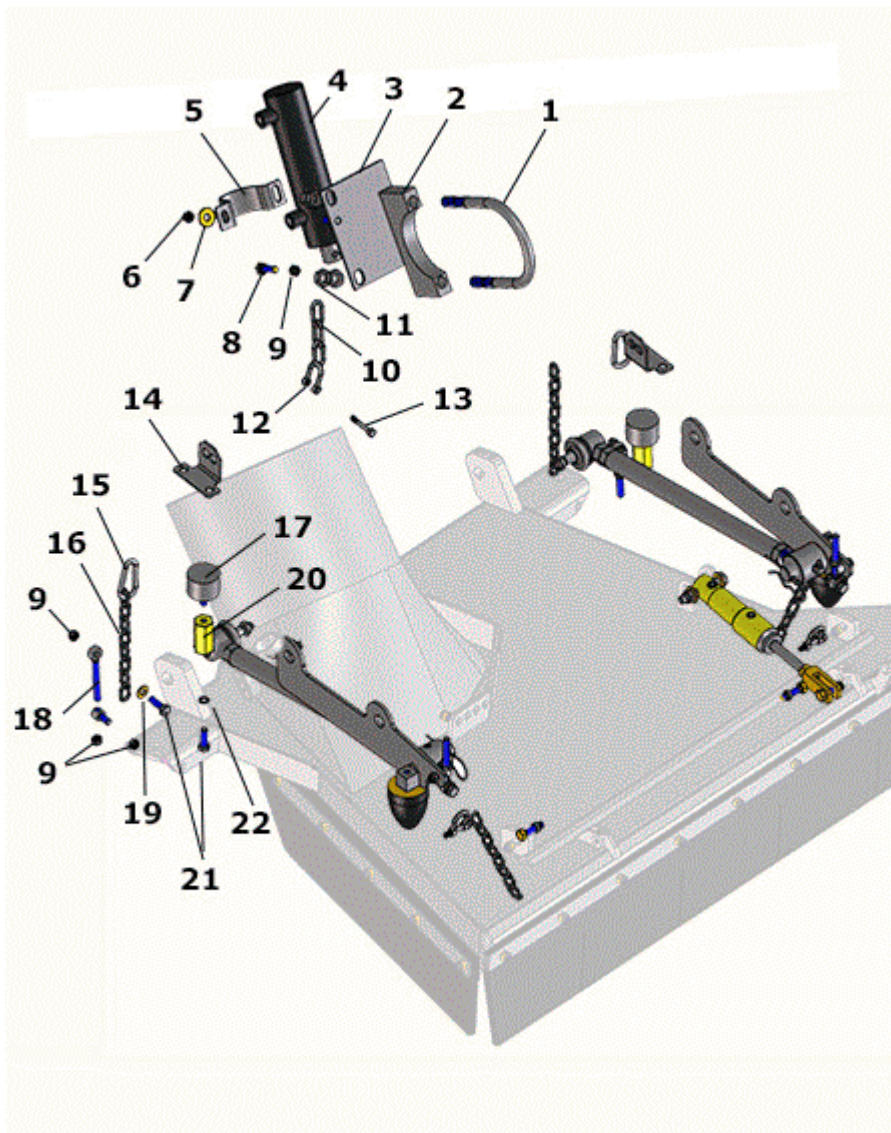


FIGURE	REFERENCE	DENOMINATION	AMOUNT
001	02.00184.00	Foru D106 FLANGE	1
002	01.00183.00	TRUMPET 20X64X137 SUPPLEMENT	1
003	46.95794.00	SUPPORT CYLINDER	1
004	46.95795.00	CYLINDER D / E D40X90	1
005	46.95793.00	FLANGE. D50	1
006	711.08000.66	NUT DIN982 M8	1
007	112.08000.67	WASHER DIN9021	1
008	603.08030.86	SCREW DIN933 M8X30	1
009	711.08000.66	NUT DIN982 M8	16
010	46.95677.00	CHAIN 5X19X35	1
011	01.01305.00	NUT	4
012	46.95741.00	GALVANIZED SHACKLE LOCK M6	1
013	604.06035.86	SCREW DIN931 M6x35	1

014	46.95713.00	SUPPORT	4
015	957.05050.82	SNAP HOOK	2
016	46.95647.00	8 CHAIN LINKS	4
017	08.00107.00	BUTT	2
018	46.95646.00	SCREW JOINT DIN444	4
019	101.08000.66	WASHER DIN125 D8	4
020	46.11844.00	NUT M8X22ECX44	2
021	603.08025.86	SCREW DIN933 M8x25	4
022	104.08000.00	WASHER DIN7980 D8	2

09. MACHINE FUNCTIONS

SUCTION TUBE (3)

CHASSIS: 66596

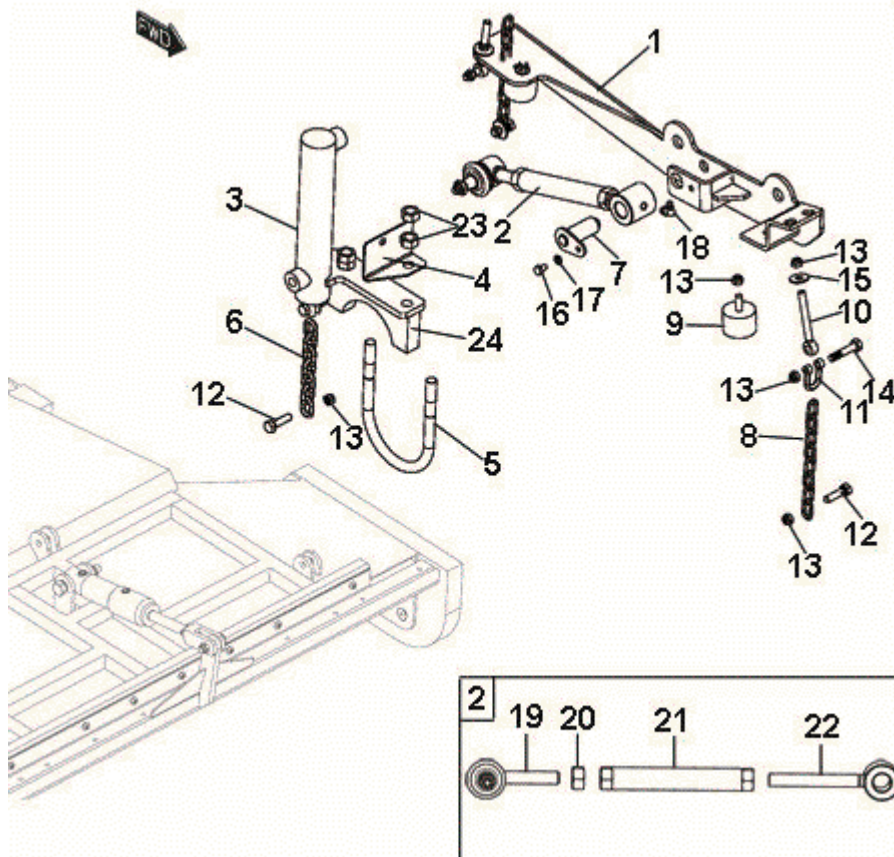


FIGURE	REFERENCE	DENOMINATION	AMOUNT
001L	46.95759.00	MOUNTING BRACKET ROD LEFT	1
001R	46.95760.00	MOUNTING BRACKET ROD RIGHT	1
002	46.95771RE00	CRANK ARM France EMBOUCHURE B400H	2
003	46.95799.00	CYLINDER D / E D32X135	1
004	46.95061.00	FIXING BRACKET CYLINDER VALVE	1
005	02.00184.00	Foru D106 FLANGE	1
006	46.09934.00	CHAIN □□SWEEPER	1
007	46.95736.00	SHAFT CIL / COA D20	2
008	46.95647.00	8 CHAIN LINKS	4
009	08.00107.00	BUTT	4
010	46.95646.00	SCREW JOINT DIN444	4
011	46.95741.00	GALVANIZED SHACKLE LOCK M6	4
012	603.08030.86	SCREW DIN933 M8X30	6
013	711.08000.66	NUT DIN982 M8	18
014	604.08040.86	SCREW DIN931	4
015	112.08000.66	WASHER DIN9021 D8	6
016	603.06010.NX	SCREW DIN933 M6X10 INOX	2
017	104.06000.00	WASHER DIN7980 D6	2
018	902.08000.33	GREASER DIN71412-C	2

019	01.00631.00	ROTULA DIRECCION DERECHA	1
020	01.01307.00	NUT	1
021	46.95613.00	Adjustable straps	1
022	46.95614.00	HUB CAS / ROS D20XM10X125	1
023	01.01305.00	NUT	4
024	01.00183.00	TRUMPET 20X64X137 SUPPLEMENT	1

09. MACHINE FUNCTIONS

SUCTION TUBE (3)

CHASSIS: 77651

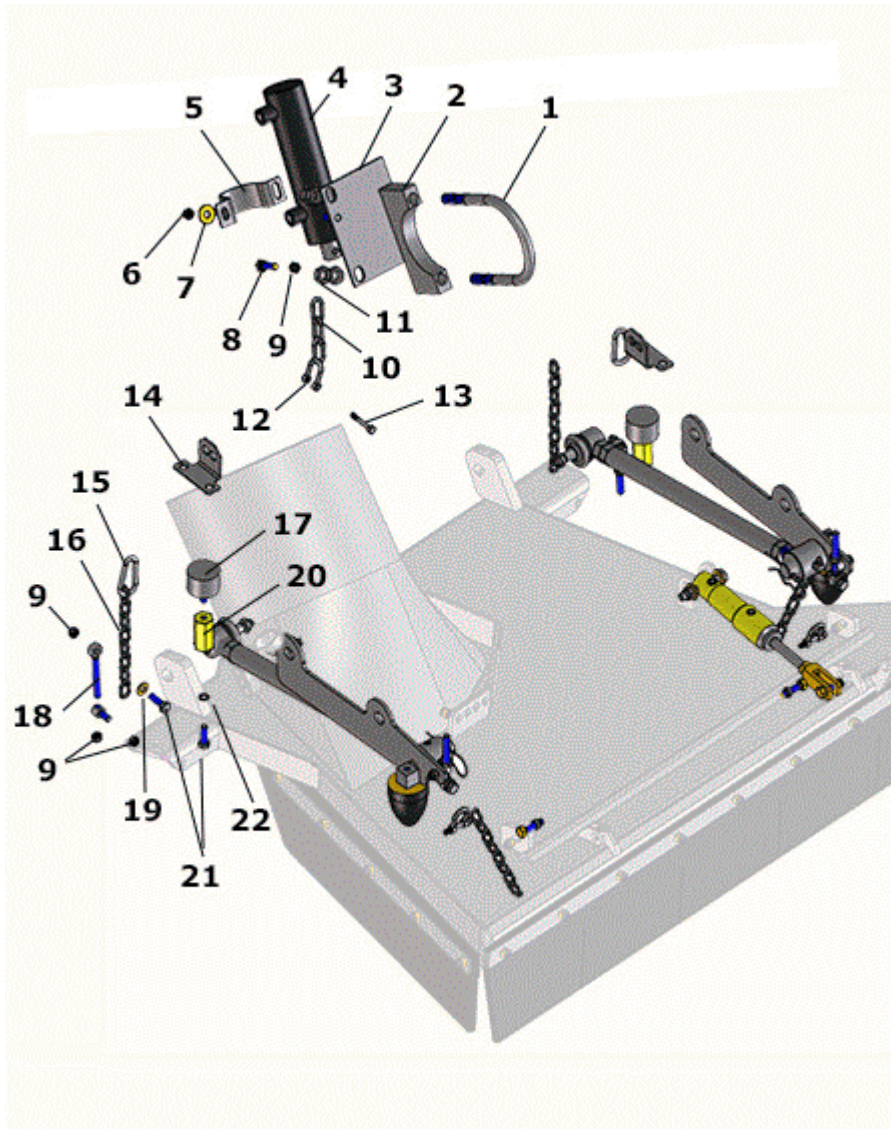


FIGURE	REFERENCE	DENOMINATION	AMOUNT
001	02.00184.00	Foru D106 FLANGE	1
002	01.00183.00	TRUMPET 20X64X137 SUPPLEMENT	1
003	46.95794.01	SUPPORT CYLINDER 4X99X180	1
004	46.95795.00	CYLINDER D / E D40X90	1
005	46.95793.00	FLANGE. D50	1
006	711.08000.66	NUT DIN982 M8	1
007	112.08000.67	WASHER DIN9021	1
008	603.08030.87	SCREW DIN933 M8x30	1
009	711.08000.66	NUT DIN982 M8	16
010	46.95677.00	CHAIN 5X19X35	1
011	01.01305.00	NUT	4
012	46.95741.00	GALVANIZED SHACKLE LOCK M6	1
013	604.06035.87	SCREW DIN931 M6X35	1

014	46.95713.00	SUPPORT	4
015	957.05050.82	SNAP HOOK	2
016	46.95647.00	8 CHAIN LINKS	4
017	08.00107.00	BUTT	2
018	46.95646.00	SCREW JOINT DIN444	4
019	101.08000.66	WASHER DIN125 D8	4
020	46.11844.00	NUT M8X22ECX44	2
021	603.08025.86	SCREW DIN933 M8x25	4
022	104.08000.00	WASHER DIN7980 D8	2

COMMENTS

MOD.5780

09. MACHINE FUNCTIONS

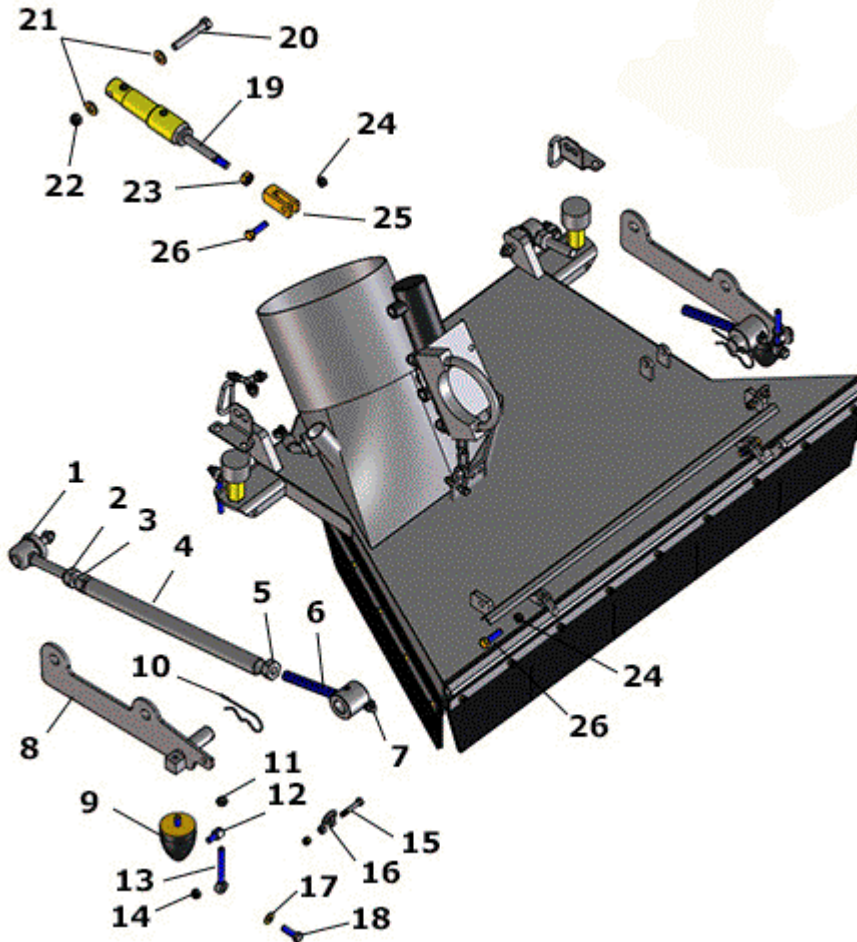


FIGURE	REFERENCE	DENOMINATION	AMOUNT
001	01.00631.00	ROTULA DIRECCION DERECHA	2
002	01.01307.00	NUT	2
003	46.95699.00	HEX NUT M10 DIN 934	2
004	46.95615.00	TUBE D25XD20X145	2
005	01.01307.00	NUT	2
006	46.95614.00	HUB CAS / ROS D20XM10X125	2
007	902.08000.33	GREASER DIN71412-C	2
008	46.95734.01	RIGHT SUPPORT	1
009	08.00107.01	BUTT	2
010	15.00836.00	PIN DIN11024 R4	2
011	701.08000.66	NUT DIN934 M8X1,25	2
012	46.00735.00	AXLE CAS / ROS M8XD14X26	2
013	46.95646.00	SCREW JOINT DIN444	2
014	711.08000.66	NUT DIN982 M8	2
015	604.06035.86	SCREW DIN931 M6x35	2
016	46.95741.00	GALVANIZED SHACKLE LOCK M6	2
017	101.08000.66	WASHER DIN125 D8	2

018	603.08025.86	SCREW DIN933 M8x25	2
019	46.58099.00	CYLINDER D / E OPEN MOUTH	1
020	603.10060.86	SCREW DIN933	1
021	101.10000.66	WASHER DIN125 D10	2
022	711.10000.66	SHOCK ABSORBER	1
023	701.10000.66	NUT DIN934 M10x1.5	1
024	711.08000.66	NUT DIN982 M8	11
025	20.05040.00	ART. FORK	1
026	603.08030.86	SCREW DIN933 M8X30	4

09. MACHINE FUNCTIONS

CHASSIS: 77651

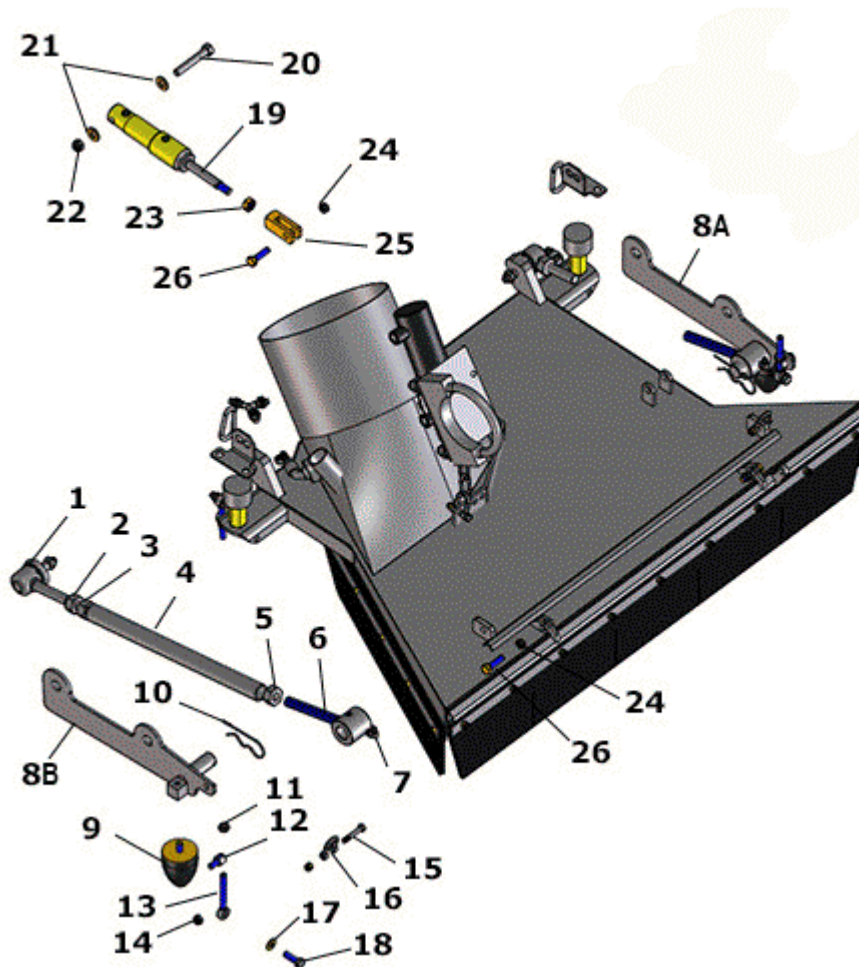


FIGURE	REFERENCE	DENOMINATION	AMOUNT
001	01.00631.00	ROTULA DIRECCION DERECHA	2
002	01.01307.00	NUT	2
003	46.95699.00	HEX NUT M10 DIN 934	2
004	46.95613.01	ADJUSTABLE STRAPS	2
005	01.01307.00	NUT	2
006	46.95614.00	HUB CAS / ROS D20XM10X125	2
007	902.08000.33	GREASER DIN71412-C	2
008A	46.95733.01	LEFT SUPPORT	1
008B	46.95734.01	RIGHT SUPPORT	1
009	08.00107.01	BUTT	2
010	15.00836.00	PIN DIN11024 R4	2
011	701.08000.66	NUT DIN934 M8X1,25	2
012	46.00735.00	AXLE CAS / ROS M8XD14X26	2
013	46.95646.00	SCREW JOINT DIN444	2
014	711.08000.66	NUT DIN982 M8	2
015	604.06035.86	SCREW DIN931 M6x35	2

016	46.95741.00	GALVANIZED SHACKLE LOCK M6	2
017	101.08000.66	WASHER DIN125 D8	2
018	603.08025.86	SCREW DIN933 M8x25	2
019	46.58099.00	CYLINDER D / E OPEN MOUTH	1
020	604.10060.86	SCREW DIN931	1
021	101.10000.66	WASHER DIN125 D10	2
022	711.10000.66	SHOCK ABSORBER	1
023	701.10000.66	NUT DIN934 M10x1.5	1
024	711.08000.66	NUT DIN982 M8	11
025	20.05040.00	ART. FORK	1
026	604.08035.86	SCREW DIN931	1

COMMENTS

MOD.5780

09. MACHINE FUNCTIONS IMPLEMENTS

FRONT HOOK EQUIPMENT

CHASSIS: 66596

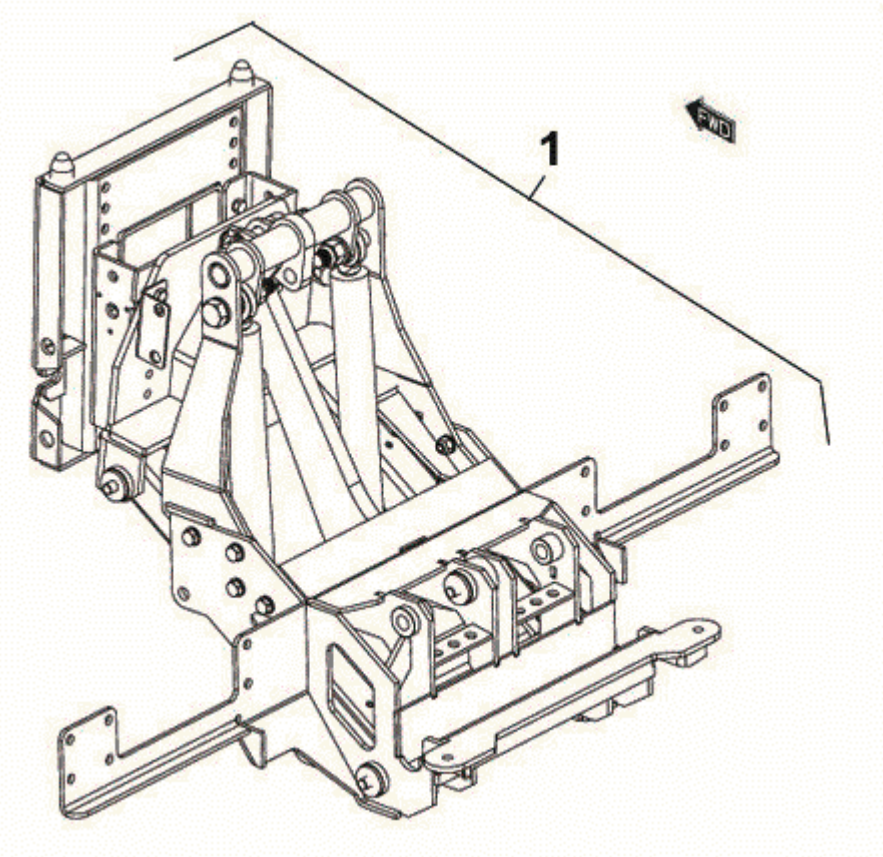


FIGURE	REFERENCE	DENOMINATION	AMOUNT
001	46.09055.07	FRONT HITCH EQUIPMENT	1

09. MACHINE FUNCTIONS IMPLEMENTS

FRONT HOOK EQUIPMENT (2)

CHASSIS: 66596

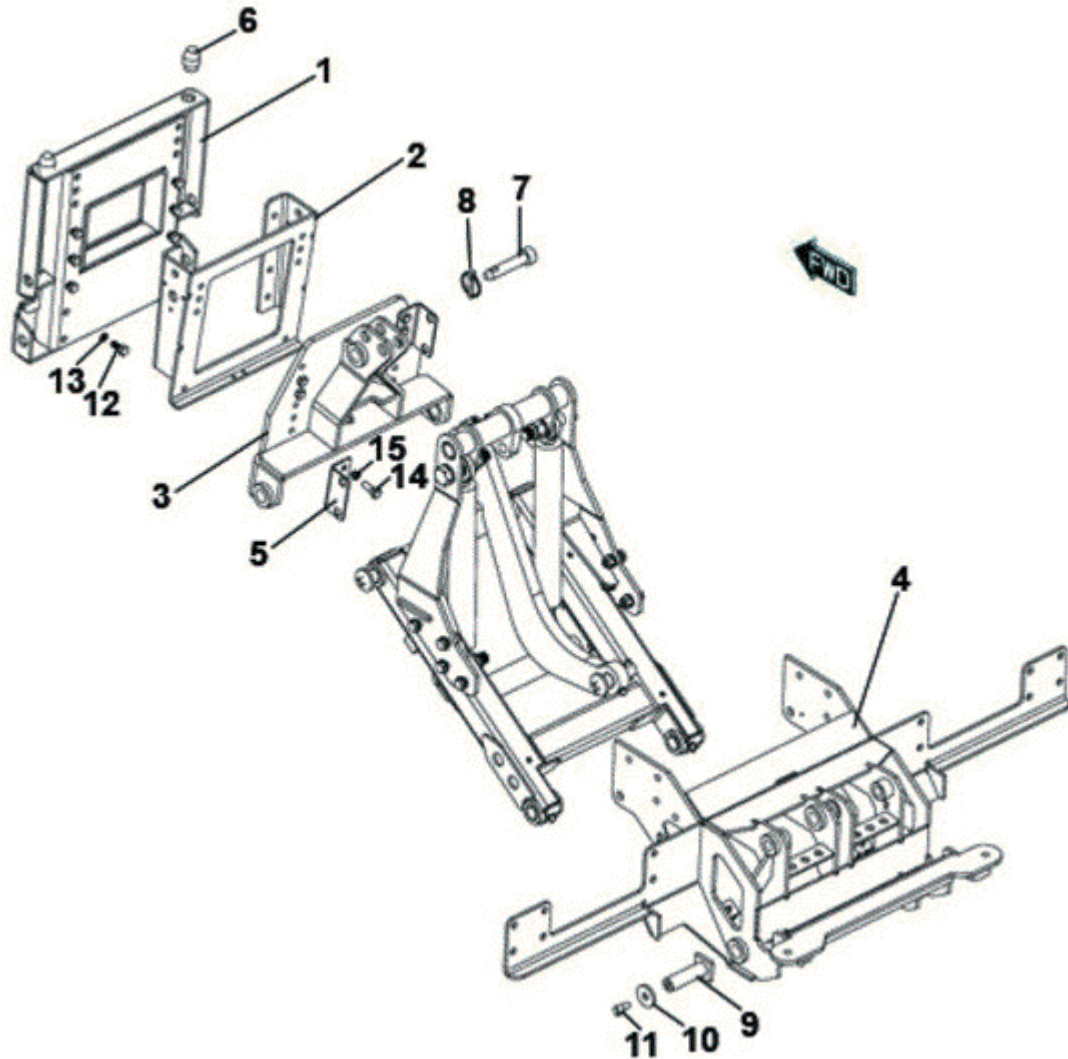


FIGURE	REFERENCE	DENOMINATION	AMOUNT
001	46.09092.00	FIXATION SUPPORT	1
002	46.95045.01	B400H FRONT FIXING BRACKET	1
003	46.09093.02	FIXING BRACKET 80X305X427	1
004	46.09094.05	FIXING BRACKET 294.5X1300X220	1
005	46.09185.00	BULKHEAD MOUNTING BRACKET	2
006	46.09099.00	HOOK REINFORCEMENT FRONT 62X43	2
007	46.09075.00	PIN 25.5X111	1
008	404.08045.00		1
009	46.09088.00	COUPLING SET 93X40X40	2
010	46.09045.00		2
011	603.12020.86	SCREW DIN933	2
012	604.10025.86	SCREW	8
013	104.10000.00	WASHER DIN7980 D10	8
014	604.10030.86	SCREW DIN931	6



015

711.10000.66

SHOCK ABSORBER

6

09. MACHINE FUNCTIONS

FRONT BRUSHES (1)

CHASSIS: 66596

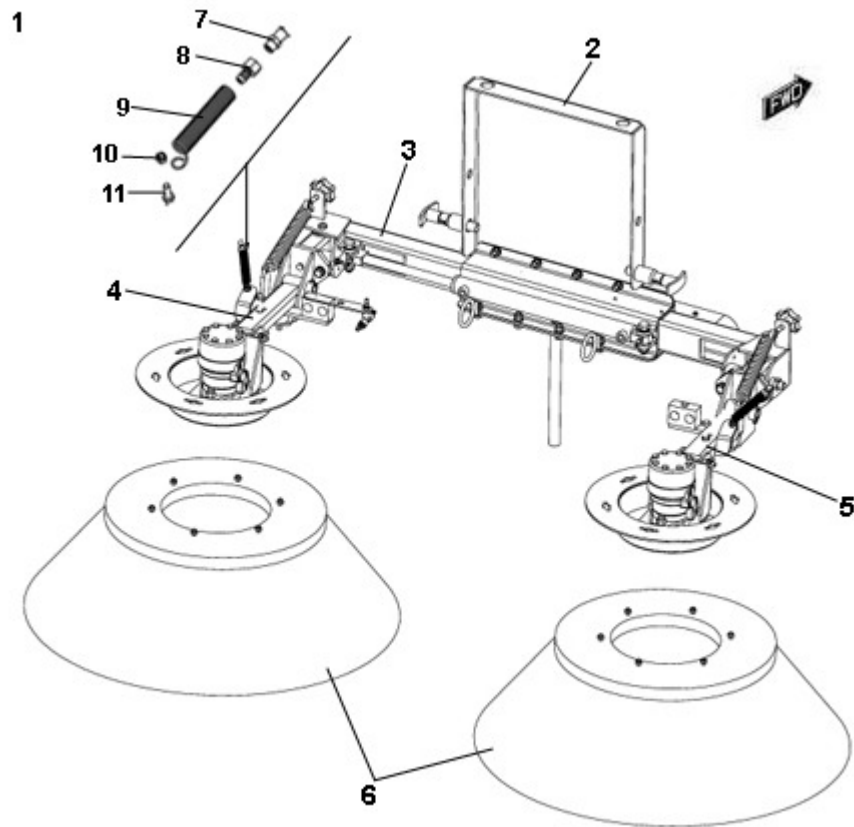


FIGURE	REFERENCE	DENOMINATION	AMOUNT
001	46.95100.02	CONJ. ACOP. ARM LAT. B400H	1
002	46.95110.01	SOP. ATTACHMENT FIXING B400H	1
003	46.95128.02	FRONT RAIL B400H	1
004	46.95140.03	ARM. SWEEPER B400H (LEFT)	1
005	46.95140.04	ARM. SWEEPER B400H (RIGHT)	1
006	17.09750.00	BRUSH D850XD500X260	2
007	46.10108.00	CONNECTOR M / M SPRINKLER 1/8X1.3	2
008	46.10107.00	RACORD M/H D7X1/8	2
009	46.95191.00	SPRING TRAC. D2XD13.75XD17.75	2
010	711.06000.66	NUT DIN982 M6	2
011	603.06020.86	SCREW DIN933 M6x20	2

09. MACHINE FUNCTIONS

INTERIOR CONTAINER K3

CHASSIS: 66596

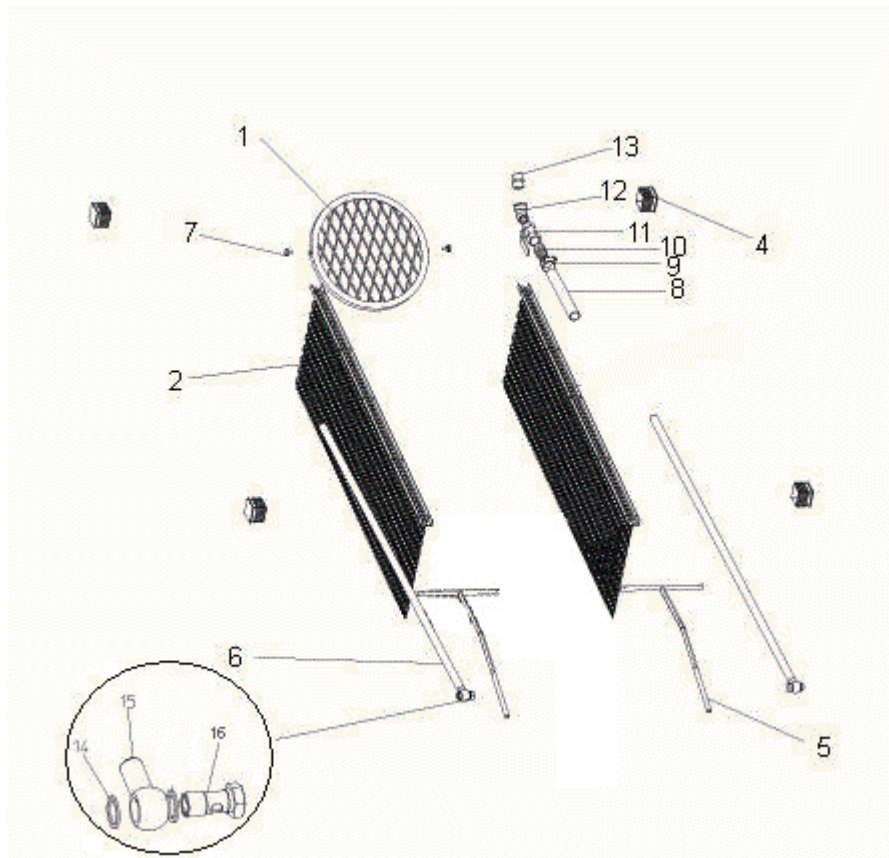


FIGURE	REFERENCE	DENOMINATION	AMOUNT
001	46.09345.00		1
002	46.09998.00		2
004	46.90055.00		4
005	46.09347.00		2
006	464.03024.00	TUBE	2
007	46.00810.00	KNOB	2
008	46.09860.00		1
009	935.34037.66	CLAMP. INOX D34XD37	1
010	46.09858.00		1
011	17.10157.00		1
012	46.09852.00		1
013	54.60321.00	NIPPLE	1
014	08.00316.00	METALLIC GASKET BUNA D1/2 G	2
015	45.01371.00	NIPPLE O/TB	1
016	16.01372.00	NIPPLE SCREW SIM.	1

09. MACHINE FUNCTIONS IMPLEMENTS

SKIP LIFTING RAM

CHASSIS: 66596

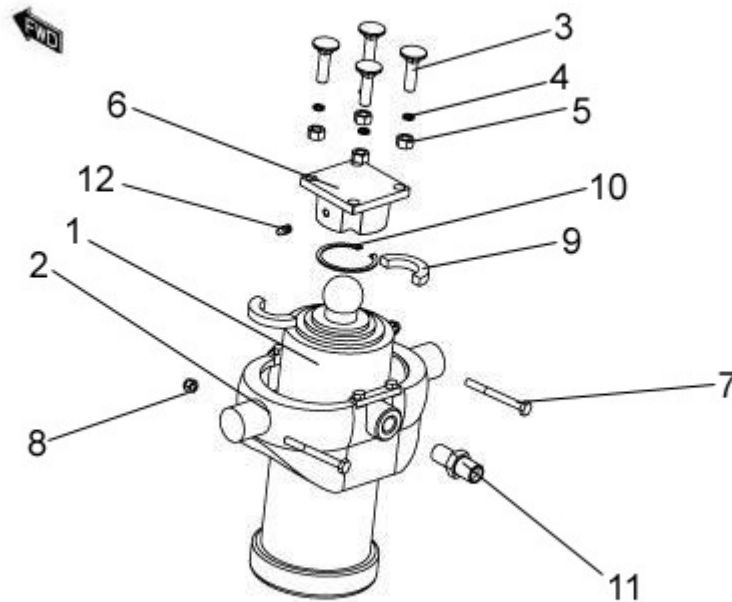


FIGURE	REFERENCE	DENOMINATION	AMOUNT
001	46.09474.00	cylinder s/e 5 lenght	1
002	46.09476.00	AXLE SUPPORT	1
003	605.12045.66	BOLT DIN603 M12x45	4
004	104.08000.00	WASHER DIN7980 D8	4
005	701.12000.66	NUT DIN934 M12x1.75	4
006	46.94750.00	BUSHING	1
007	604.08080.86	SCREW DIN931	2
008	711.08000.66	NUT DIN982 M8	2
009	46.94752.00	BALL JOINT	2
010	905.65000.00	RING DIN472 I65	1
011	46.94751.00	"RACOR M/M 1/2""	1
012	901.08000.33	GREASER DIN71412-A M8x1,25	1

09. MACHINE FUNCTIONS

RECIRCULATING WATER EQUIPMENT

CHASSIS: 66596

00. KIT RECIRCULACIÓN / RECIRCULATION KIT

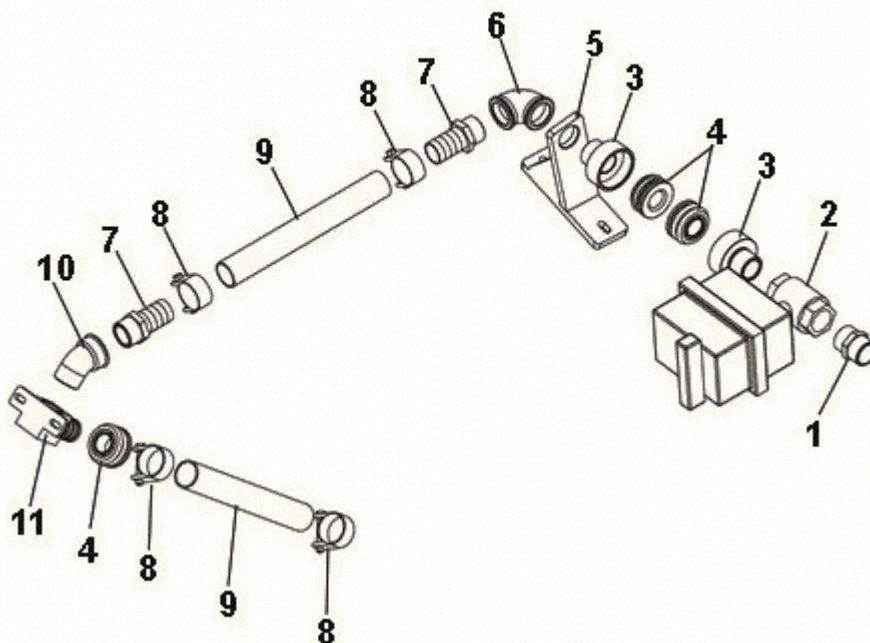


FIGURE	REFERENCE	DENOMINATION	AMOUNT
000	46.09811.01	RECIRCULATION SET	1
001	65.10824.00	RACORD	1
002	32.10888.00	B300 12VDC SOLENOID	1
003	46.13023.00	RACOR M / F 1	2
004	46.09854.00	RUBBER SEAL D55XD22X25	3
005	46.13022.00	FIXING BRACKET RECIRCULATING	1
006	46.13024.00	RACOR C90 H / H 1	1
007	46.09858.00		2
008	935.34037.66	CLAMP. INOX D34XD37	4
009	46.09860.00		1
010	46.09852.00		1
011	46.13021.00	RACOR C90M / H CIRCULATING	1

10. HYDRAULIC INSTALLATION TURBINE SCHEME

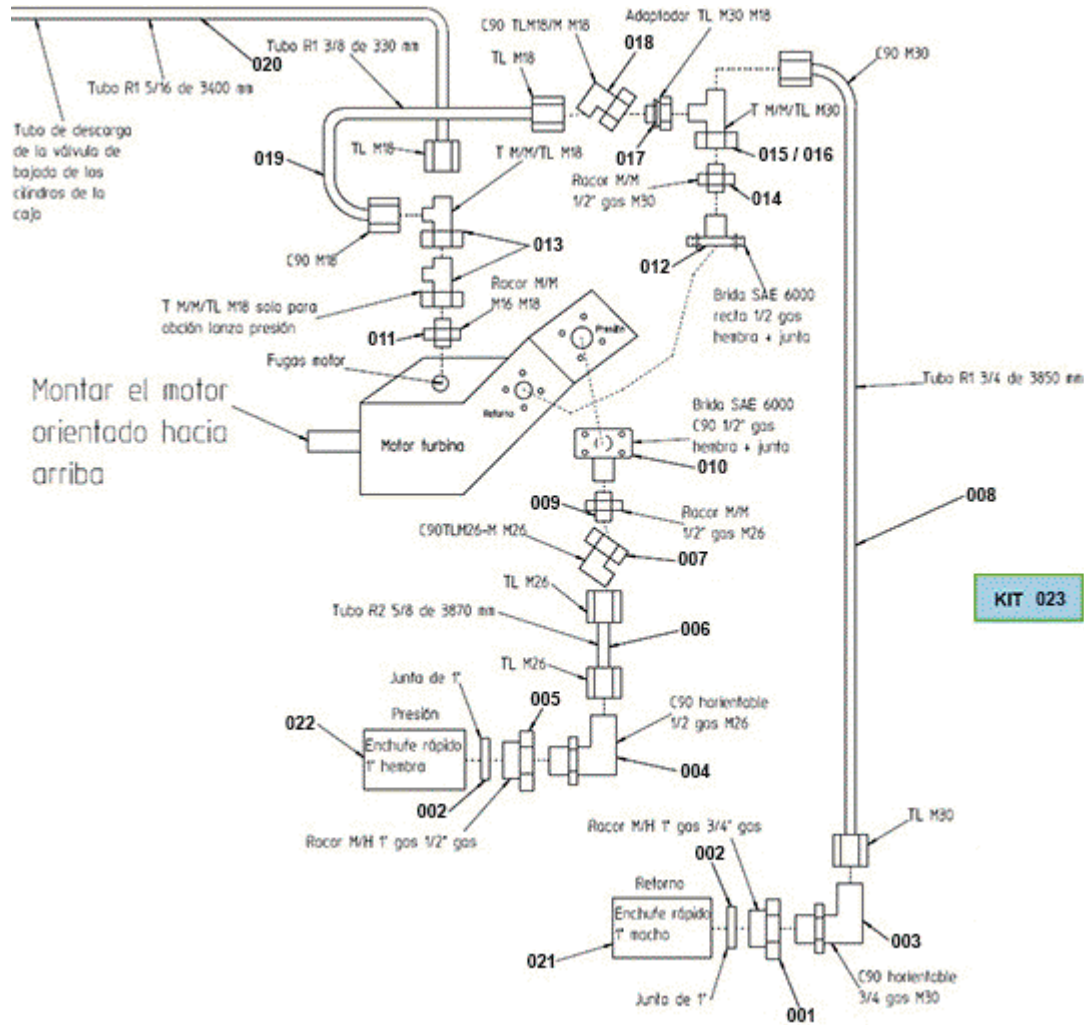


FIGURE	REFERENCE	DENOMINATION	AMOUNT
001	17.10177.00	RACOR M/H 1"BSP-3/4"BSP	1
002	43.13444.00	GASKET MET. BUNA	2
003	20.10558.00	FITTING C90MO/M 3/4"GAS-M30	1
005	12.10318.00	"NIPPLE M/H 1"G-1/2"G"	1
006	46.09383.00	TUBE R2T5/8 TLM26-TLM26-3870	1
007	48.10223.00	FITTING	1
008	46.09382.00	TUBE R1T3/4 TLM30-C90TLM30-385	1
009	48.10433.00	FITTING	1
010	48.09393.00	FLANGE SAE6000 C90 H 1/2	1
011	46.10846.00	FITTING M/M M16XM14	1
012	46.09393.00	FLANGE SAE 6000 H 1/2	1
013	70.10223.00	FITTING M/M/TL M18x1,5	2
014	48.10437.00	FITTING	1
015	57.10311.00	FITTING	1
016	48.10760.00	RACOR FORT M/M/TL M30X2 SP 420	1
017	48.10375.00	FITTING M/TL MM M18x1.5-TLM30x2	1

018	64.10308.00	ELBOW C90M/TL NIPPLE M18X1.5	1
019	46.09381.00	TUBE R1T3/8 TLM18-C90TLM18-330	1
020	46.09384.00	TUBE R1T5/16 TLM18-TLM18-3400	1
021	48.10164.00	QUICK PLUG 1 ISO	1
022	48.10165.00	QUICK PLUG 1 ISO	1
023	46.09380.00	TUBE KIT FOR TURBINE ENGINE B400H	1

10. HYDRAULIC INSTALLATION TRANSMISSION

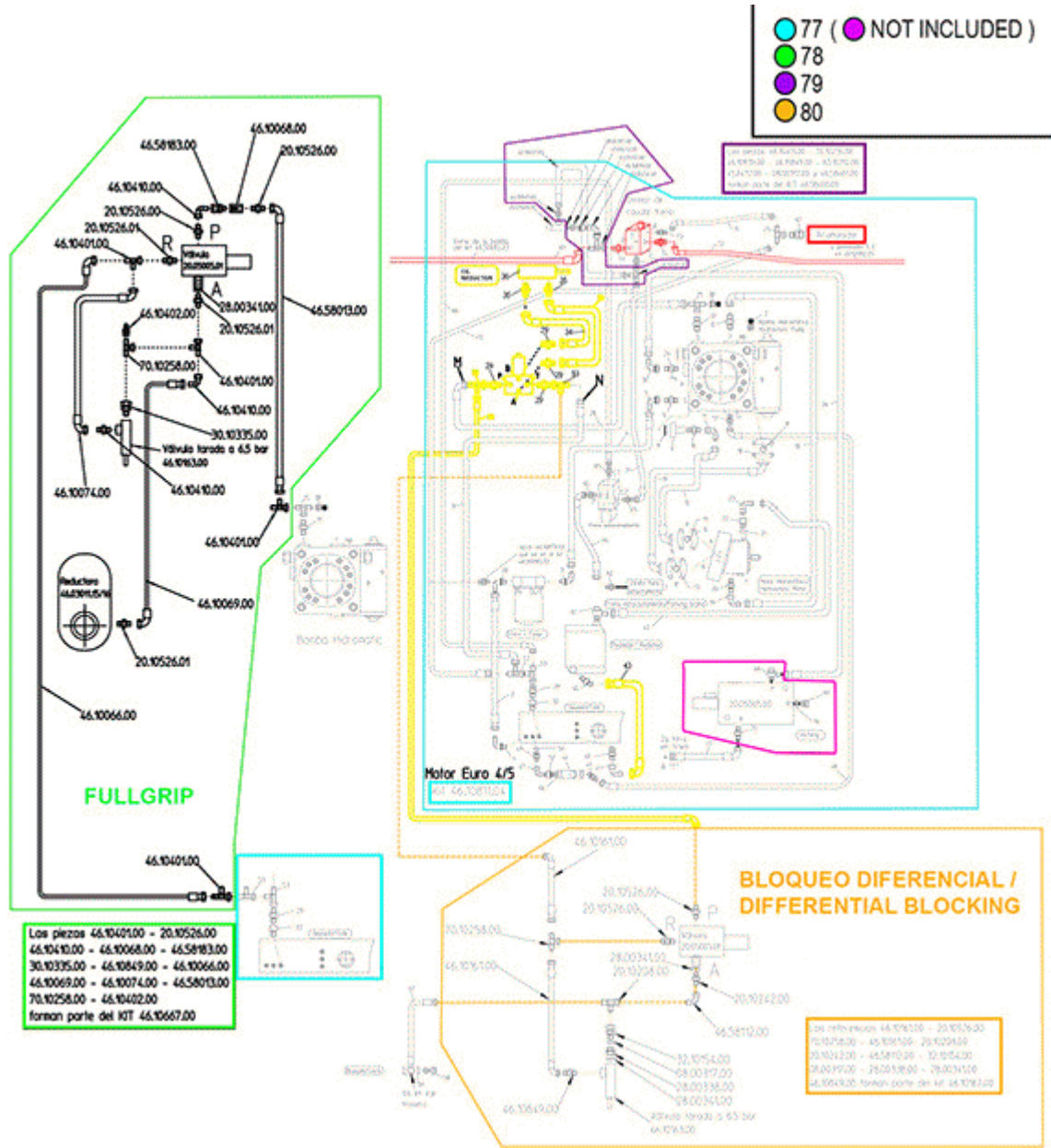


FIGURE	REFERENCE	DENOMINATION	AMOUNT
001	46.10832.00	FITTING C90M/M 1BSP-1BSP	1
002	46.58000.01	HYDRAULIC HOSE R1T1 1530 1TLX11/4TL	1
003	70.10202.00	FITTING C90M/M 11/4G - 11/4G	1
004	46.58001.01		1
005	46.10836.00	SCREW DIN931	1
006	46.10835.00	FITTING	1
007	70.10218.00	FITTING M/M M16x2-M12x1.5	1
008	70.10211.00	FITTING M/M M30-3/4GAS	2
009	46.58002.00	CLAMP 90° 3/4 6000 PSI	1
010	46.58003.00	FITTING M/M M26-3/8G	1
011	46.58004.00	FITTING	1

012	46.58005.00	HYDRAULIC HOSE R1T3/4 1230 BR-C90TL	1
013	46.10845.00	CLAMP SAE6000 1	2
014	46.10844.00	O-RING DIN6505 SAE 1	2
015	46.58006.00	HYDRAULIC HOSE R1T3/4 690 BR90-BR90	1
016	70.10212.00	CLAMP SAE6000 3/4	1
017	70.10210.00	FITTING M/M M26xM22	1
018	46.58007.00	HYDRAULIC HOSE R1T5/8 800 TL-C90TL	1
019	46.10839.00	FITTING	1
020	46.10838.00	FITTING M/M M26xM18	1
021	46.10827.00	METAL BUNA GASKET M18X1.5	1
022	57.10309.00	FITTING M/M M18X1.5/M30X2	1
023	46.58303.00	FITTING C90M/TL TLM30XM18	1
024	46.10846.00	FITTING M/M M16XM14	3
025	70.10258.00	FITTING	2
026	46.58010.00	HYDRAULIC HOSE R1T1/4 1460 TL-TL	1
027	46.58011.00	HYDRAULIC HOSE R1T1/4 390 TL-C90TL	1
028	46.58012.00	HYDRAULIC HOSE R1T1/4 790 TL-C90TL	1
029	46.10849.00	FITTING	6
030	46.10410.00	FITTING	1
031	46.58013.00	HYDRAULIC HOSE R1T1/4 920 TL-C90TL	1
032	63.10310.00	FITTING M/H 3/4GAS- 3/8GAS	1
033	46.58079.00	HYDRAULIC HOSE R1T1/4 350 TL-C90TL	1
034	46.58080.00	HYDRAULIC HOSE R1T1/4 270 TL-C90TL	1
035	12.10317.00	ELBOW C90M/H NIPPLE	2
036	46.58081.00	DOUBLE EFFECT MICRO-CYLINDER 12/20X25	1

10. HYDRAULIC INSTALLATION TRANSMISSION

FIGURE	REFERENCE	DENOMINATION	AMOUNT
037	57.10338.00	NUT	1
038	46.10402.00	COUPLING	1
039	70.10202.01	FITTING C90MO/M 11/4G - 11/4G	1
040	57.10307.00	FITTING	2
041	65.10806.00	FITTING C90M/TL M30X2	1
042	46.58127.00	HYDRAULIC HOSE R1T3/4 2000 C45TL-TLM30	1
043	46.58126.03		1
044	52.01450.00	PRESSURE VALVE	1
045	46.10824.00	FITTING	1
046	08.00316.00	METALLIC GASKET BUNA D1/2 G	1
047	46.50787.00	FITTING C90M/H 1/2G-1/2G	1
048	46.58850.00	HYDRAULIC HOSE R1T1/2 C45XC90X850	1

049	46.10820.00	FITTING M/M 3/4BSPX1/2BSP	1
050	45.01423.00	GASKET	1
051	20.10247.00	FITTING M/M M12X1,5-1/8G	1
052	46.10623.00	RACCORD M/TL 1/2G	1
053	46.10401.00	FITTING	4
054	46.58180.00	RACOR M/M M14X1/8GAS	2
055	46.58240.00	TUBE R1T1/4 240 C90TL-C90TL	1
056	46.58191.00	TUBE R1T1/4 190 TL-C90 M16	1
057	46.58190.00	TUBE R1T1/4 2150ROD12-TLC90M1	1
058	43.70757.00	NIPPLE SCREW SIM.	1
059	46.10809.00	INSTRUMENT PANEL COVER	2
060	60.00802.00	CAP	1
061	46.58340.00	RACCORD C90MO/M 3/4BSP-M30	1
062	20.10526.00	RACCORD M/M 1/4BSP-M16X1.5 CHICL	4
064	46.58207.00	TUBE R1T1/4 M16-C90M16-680	2
065	46.10825.00	FITTING	3
066	46.58204.00	TUBE R1T1/4 M16-C90M16-1460	1
067	46.10248.00	RACORD M/M M16X1.5 D12 M18X1.5	1
069	46.58206.00	TUBE R2T5/8 M26-C90M26-650	1
070	46.58209.00	TUBE R1T1/4 M16-C90M16-1260	1
071	46.58205.00		2
072	46.58203.00	TUBE R2T5/8 TLM26-C90M26-800	2
073	32.10027.00	RACORD M/M M16X1.5-M14X1.5	2
074	46.10838.00	FITTING M/M M26xM18	2

10. HYDRAULIC INSTALLATION TRANSMISSION

FIGURE	REFERENCE	DENOMINATION	AMOUNT
075	70.10239.00	FITTING M/M M16X1,5 - 1/4GAS	1
076	28.00341.00	METALLIC GASKET BUNA D1/4	1
077	46.10811.04		1
078	46.10667.00	HYDRAULIC HOSES AND CONNECTORS KIT	1
079	46.58400.00	HYDRAULIC HOSES AND CONNECTORS KIT	1
080	46.10162.00	DIFFERENTIAL BLOCKING KIT	1

10. HYDRAULIC INSTALLATION TRANSMISSION

CHASSIS: 65372

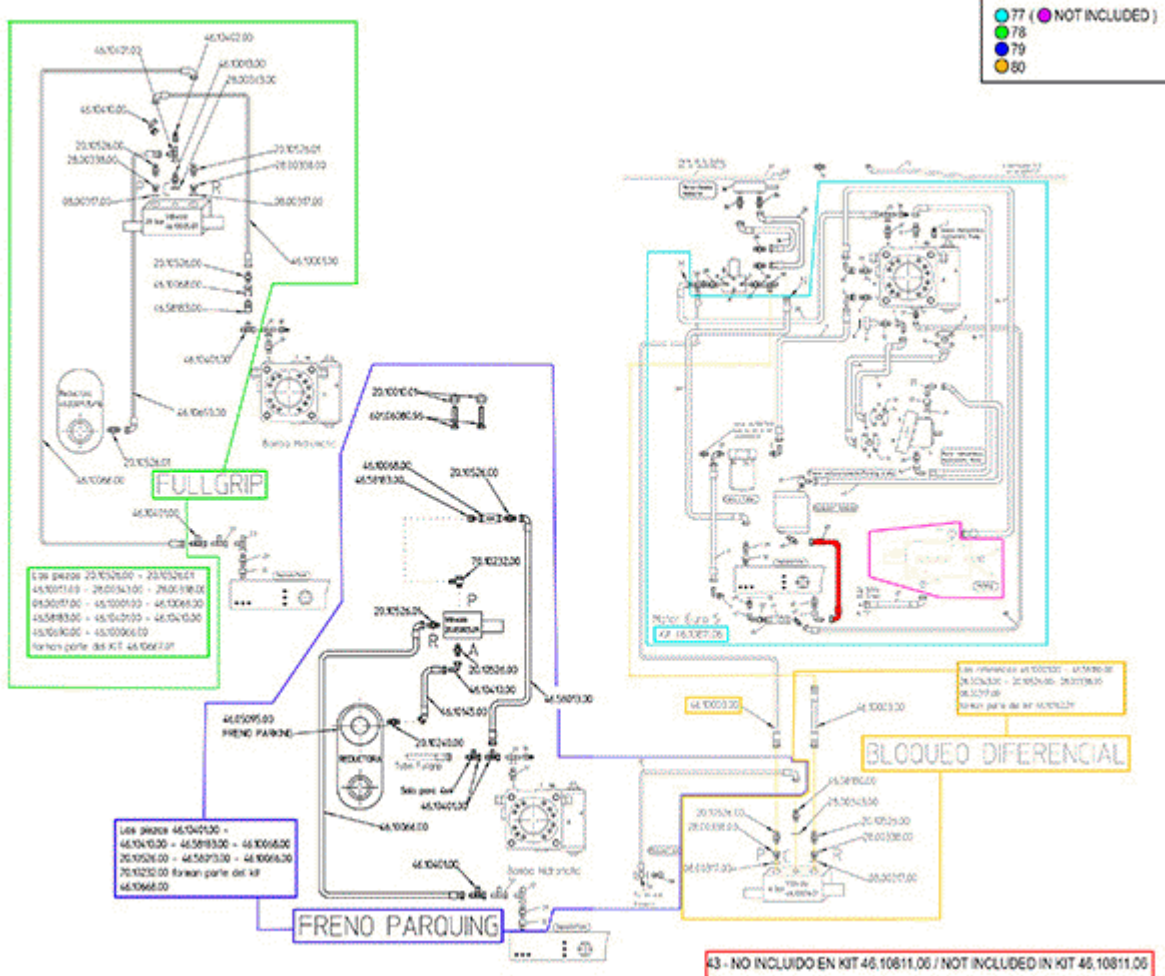


FIGURE	REFERENCE	DENOMINATION	AMOUNT
001	46.10832.00	FITTING C90M/M 1BSP-1BSP	1
002	46.58000.01	HYDRAULIC HOSE R1T1 1530 1TLX11/4TL	1
003	70.10202.00	FITTING C90M/M 11/4G - 11/4G	1
004	46.58001.01		1
005	46.10836.00	SCREW DIN931	1
006	46.10835.00	FITTING	1
007	70.10218.00	FITTING M/M M16x2-M12x1.5	1
008	70.10211.00	FITTING M/M M30-3/4GAS	2
009	46.58002.00	CLAMP 90° 3/4 6000 PSI	1
010	46.58003.00	FITTING M/M M26-3/8G	1
011	46.58004.00	FITTING	1
012	46.58005.00	HYDRAULIC HOSE R1T3/4 1230 BR-C90TL	1
013	46.10845.00	CLAMP SAE6000 1	2
014	46.10844.00	O-RING DIN6505 SAE 1	2
015	46.58006.00	HYDRAULIC HOSE R1T3/4 690 BR90-BR90	1
016	70.10212.00	CLAMP SAE6000 3/4	1

017	70.10210.00	FITTING M/M M26xM22	1
018	46.58007.00	HYDRAULIC HOSE R1T5/8 800 TL-C90TL	1
019	46.10839.00	FITTING	1
020	46.10838.00	FITTING M/M M26xM18	1
021	46.10827.00	METAL BUNA GASKET M18X1.5	1
022	57.10309.00	FITTING M/M M18X1.5/M30X2	1
023	46.58303.00	FITTING C90M/TL TLM30XM18	1
024	46.10846.00	FITTING M/M M16XM14	1
025	70.10258.00	FITTING	1
026	46.58010.00	HYDRAULIC HOSE R1T1/4 1460 TL-TL	1
027	46.58011.00	HYDRAULIC HOSE R1T1/4 390 TL-C90TL	1
028	46.58012.00	HYDRAULIC HOSE R1T1/4 790 TL-C90TL	1
029	46.10849.00	FITTING	6
030	46.10410.00	FITTING	1
031	46.58013.00	HYDRAULIC HOSE R1T1/4 920 TL-C90TL	1
032	63.10310.00	FITTING M/H 3/4GAS- 3/8GAS	1
033	46.58079.00	HYDRAULIC HOSE R1T1/4 350 TL-C90TL	1
034	46.58080.00	HYDRAULIC HOSE R1T1/4 270 TL-C90TL	1
035	12.10317.00	ELBOW C90M/H NIPPLE	2
036	46.58081.00	DOUBLE EFFECT MICRO-CYLINDER 12/20X25	1

10. HYDRAULIC INSTALLATION TRANSMISSION

CHASSIS: 65372

FIGURE	REFERENCE	DENOMINATION	AMOUNT
037	57.10338.00	NUT	1
038	46.10402.00	COUPLING	1
039	70.10202.02		1
040	57.10307.00	FITTING	2
041	65.10806.00	FITTING C90M/TL M30X2	1
042	46.58127.00	HYDRAULIC HOSE R1T3/4 2000 C45TL-TLM30	1
043	46.58126.03		1
044	52.01450.00	PRESSURE VALVE	1
045	46.10824.00	FITTING	1
046	08.00316.00	METALLIC GASKET BUNA D1/2 G	1
047	46.50787.00	FITTING C90M/H 1/2G-1/2G	1
048	46.58850.00	HYDRAULIC HOSE R1T1/2 C45XC90X850	1
049	46.10820.00	FITTING M/M 3/4BSPX1/2BSP	1
050	45.01423.00	GASKET	1
051	20.10247.00	FITTING M/M M12X1,5-1/8G	1
052	46.10623.00	RACCORD M/TL 1/2G	1
053	46.10401.00	FITTING	2

054	46.58180.00	RACOR M/M M14X1/8GAS	2
055	46.58240.00	TUBE R1T1/4 240 C90TL-C90TL	1
056	46.58191.00	TUBe R1T1/4 190 TL-C90 M16	1
057	46.58190.00	TUBE R1T1/4 2150ROD12-TLC90M1	1
058	43.70757.00	NIPPLE SCREW SIM.	1
059	46.10809.00	INSTRUMENT PANEL COVER	2
060	60.00802.00	CAP	1
061	46.58340.00	RACCORD C90MO/M 3/4BSP-M30	1
062	20.10526.00	RACCORD M/M 1/4BSP-M16X1.5 CHICL	3
063	46.09014.00	CAP	1
068	70.10232.00	FITTING C90M/M M16-1.5x1/4BSP	1
069	46.58206.00	TUBE R2T5/8 M26-C90M26-650	1
072	46.58203.00	TUBE R2T5/8 TLM26-C90M26-800	1
074	46.58072.00	FITTING M/M M26-M26	1
075	70.10239.00	FITTING M/M M16X1,5 - 1/4GAS	1
076	28.00341.00	METALLIC GASKET BUNA D1/4	1
077	46.10811.06	HYDRAULIC HOSES AND CONNECTORS KIT	1
078	46.10667.01	HYDRAULIC HOSES AND CONNECTORS KIT	1
079	46.10668.00	HYDRAULIC BREAK KIT	1

10. HYDRAULIC INSTALLATION

TRANSMISSION

CHASSIS: 65372

FIGURE	REFERENCE	DENOMINATION	AMOUNT
080	46.10162.01	DIFFERENTIAL BLOCKING KIT	1

COMMENTS

MOD.5031(A)

10. HYDRAULIC INSTALLATION

HYDROSTATIC PUMP

CHASSIS: 67571

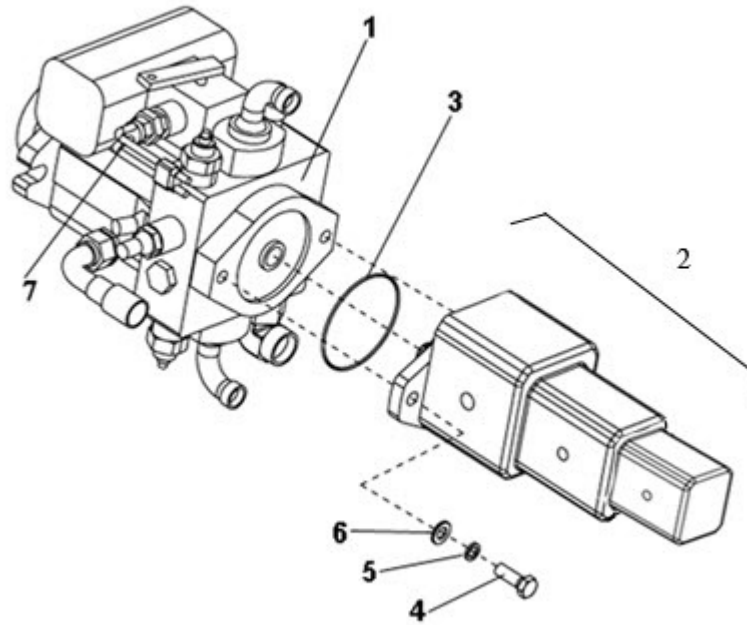


FIGURE	REFERENCE	DENOMINATION	AMOUNT
001	46.10010.02	PUMP OIL SAE B HIDROMATIC	1
002	46.10447.00		1
003	RXR909154589	O-RING 101.27X2.62NBR70S	1
004	604.12035.86	SCREW DIN931 M12x35	2
005	104.12000.00	WASHER DIN7980 D12	2
006	101.12000.66	WASHER DIN125 D12	2
007	RXR909830731		1

10. HYDRAULIC INSTALLATION

HYDROSTATIC PUMP

CHASSIS: 70220

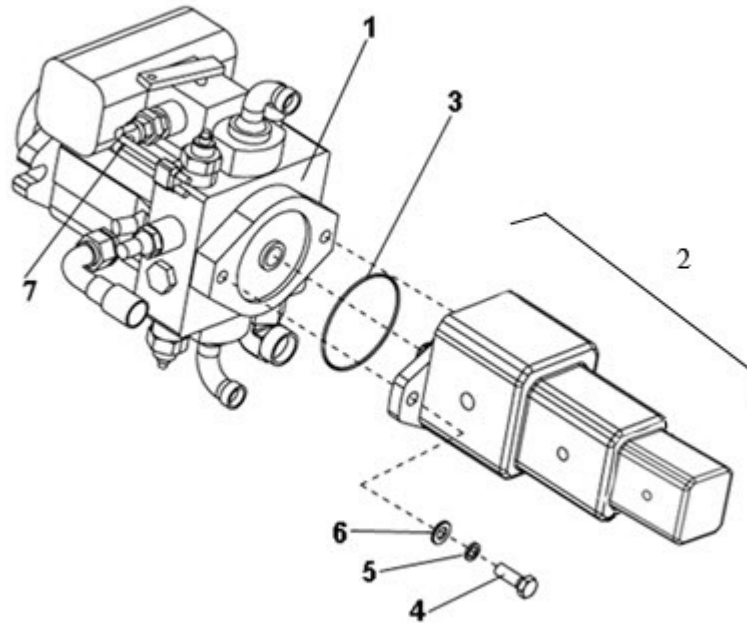


FIGURE	REFERENCE	DENOMINATION	AMOUNT
001	46.10010.02	PUMP OIL SAE B HIDROMATIC	1
002	46.10447.01	OIL PUMP 45-22-35	1
003	RXR909154589	O-RING 101.27X2.62NBR70S	1
004	604.12035.86	SCREW DIN931 M12x35	2
005	104.12000.00	WASHER DIN7980 D12	2
006	101.12000.66	WASHER DIN125 D12	2
007	RXR909830731		1

11. ELECTRIC INSTALLATION FRONT WORK LIGHTS

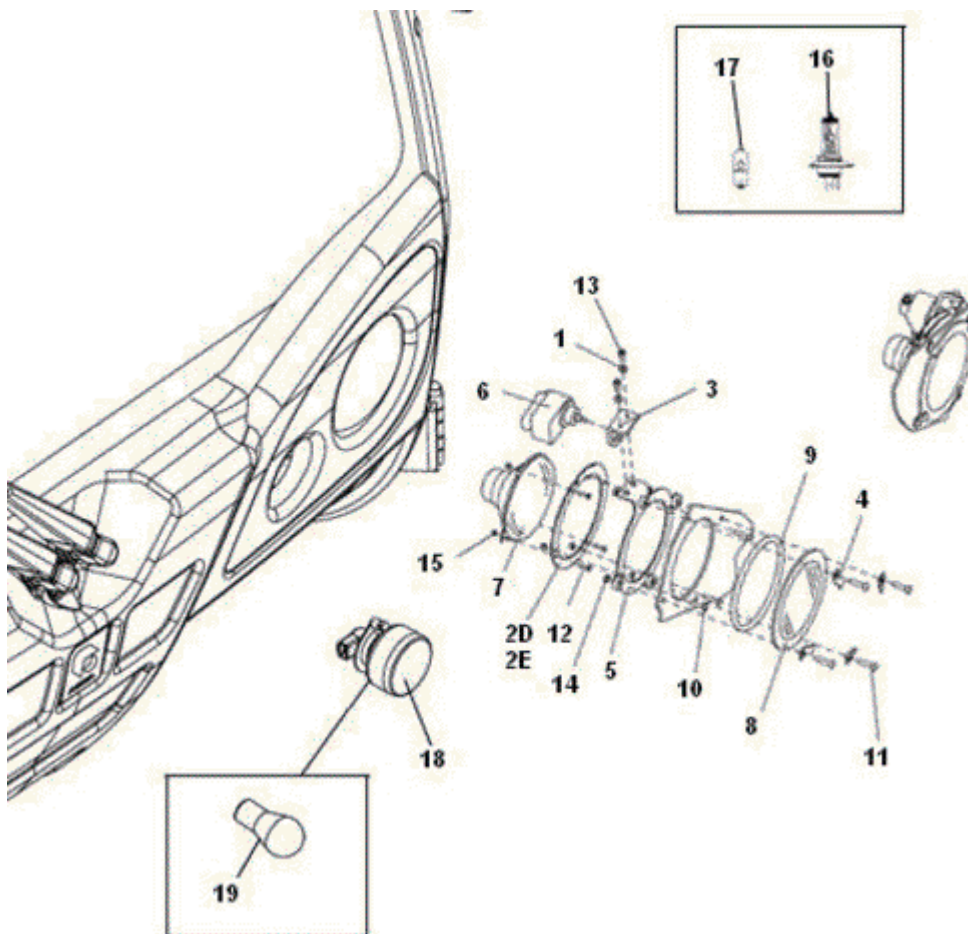


FIGURE	REFERENCE	DENOMINATION	AMOUNT
001	101.06000.67	WASHER DIN125 D6	4
002D	46.08731.00	INNER RIGHT BEACON FIXING	1
002E	46.08734.00	LEFT INNER FIXING BEACON	1
003	46.08732.00	BEACON MOTOR FIXING	2
004	46.08875.00	HEADLIGHT GLASS FIXING SUPPORT	8
005	46.11077.01	HEADLIGHT EXTERNAL FIXING SUPPORT	2
006	46.82009.00	BEACONS LIFT REGULATION ENGINE	2
007	46.82010.00	LOWER DRIVING BEACON	2
008	46.11079.01	HEADLIGHT PROTECTOR. CABIN	2
009	465.00019.00	BUTYL RUBBER ADHESIVE SEALANT 8MM	2
010	46.08733.00	BOLT DIN7985 5x25	6
011	46.08711.00	SCREW DIN7985 M6x25	8
012	603.04020.87	SCREW DIN 933 M4X20	6
013	601.06015.87	SCREW. DIN 912 M6x15	4
014	720.05000.66	NUT DIN985 M5	6
015	720.04000.66	NUT DIN985 M4	6
016	48.11065.00	LIGHT BULB H4 12V 60 / 55W	1

017	48.11066.00	LAMP T4W 12V 4W	1
018	46.11203.00		1
019	31.01329.01	LAMP 12V 21W AMBER	1

13. ACCESSORIES

ADJUSTABLE BRUSHES (1)

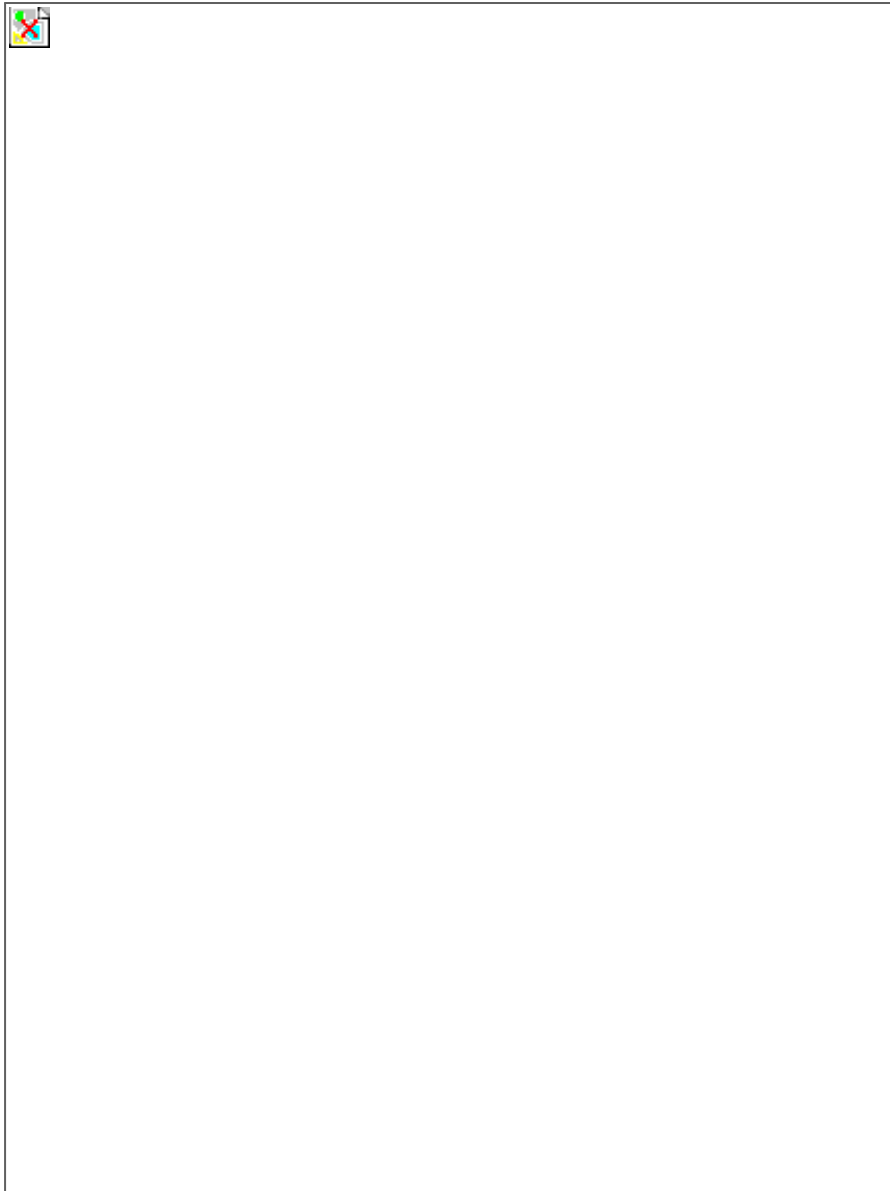


FIGURE	REFERENCE	DENOMINATION	AMOUNT
000	46.95367.00	COMPLETE ADJUSTABLE BRUSHES	1
001	46.95161.00	CYLINDER D/E D40X380	1
002	701.10000.66	NUT DIN934 M10x1.5	8
003	104.10000.00	WASHER DIN7980 D10	8
004	101.10000.66	WASHER DIN125 D10	16
005	603.10030.86	SCREW DIN933	8
006	46.95288.00	GRIPPER D30X18XM8	4
007	46.95287.00	WASHER. RUBBER D25XD9X5	4
008	604.10030.86	SCREW DIN931	2
009	112.10000.67	WASHER DIN9021 D10	2
010	711.10000.66	SHOCK ABSORBER	2
011	46.95174.00	THREADED CYL. AXLE 10X16X31	1

012	46.95163.00	FEMALE KNOB M10	1
013	112.10000.66	WASHER DIN9021 D10	1
014	630.06015.96	SCREW ISO7380 M6x15	2
015	830.01406.00	CLAMP LOOP	1
016	104.06000.00	WASHER DIN7980 D6	2
017	46.95190.00	GUARD POSITION SENSOR	1
018	46.09750.00	TIGHT PIN 120XD35	2
019	46.95300.02	FRONT COVER B400H	1

COMMENTS

MOD.5040

13. ACCESSORIES

ADJUSTABLE BRUSHES (2)



FIGURE	REFERENCE	DENOMINATION	AMOUNT
001	603.08020.86	SCREW DIN933 M8x20	2
002	104.10000.00	WASHER DIN7980 D10	2
003	46.95106.00	WASHER 5X9X40 ARM B300	2
004	46.09615.02	D385X101 SUPPORT	2
005A	46.95294.00	BRUSH SUPPORT LEFT	1
005B	46.95295.00	BRUSH SUPPORT RIGHT	1
006	603.12045.86	SCREW DIN933	4
007	46.95400.00	HYDR. MOTOR 200C.C. SWEEPER	2
008	711.12000.66	NUT DIN982 M12	4
009	46.95717.02	SPRING COMP. D22XD42	2
010	46.95718.00	AXLE CONNECTING ROD	2
011	46.00618.00	BAR BALL JOINT	2
012	711.06000.66	NUT DIN982 M6	2
013	46.10107.00	RACORD M/H D7X1/8	2
014	46.10108.00	CONNECTOR M / M SPRINKLER 1/8X1.3	2
015	46.95191.00	SPRING TRAC. D2XD13.75XD17.75	2
016	112.06000.67	CIR-CLIP DIN9021 D6	2
017	603.06020.86	SCREW DIN933 M6x20	2
018	601.06040.86	SCREW DIN912	2
019	711.06000.66	NUT DIN982 M6	2
020	711.10000.66	SHOCK ABSORBER	6
021	604.10040.86	SCREW DIN931	4

022	630.08025.96	SCREW ISO7380	2
023	46.10417.00	CYLINDER D/E D30XD10X25	4
024	46.95298.00	AXLE SUPPORT	1
025	954.01010.00	TENSOR M10XD10 DIN 648	4
026	701.10000.67	NUT DIN934 M10x1,5	4
027	46.95293.00	AXLE SUPPORT	1
028	949.02020.00	bush 20X23X20 DIN 1494	12
029	604.10055.86	BOLT DIN931 M10x55	4
030	101.12000.66	WASHER DIN125 D12	4
031	104.12000.00	WASHER DIN7980 D12	4
032	603.12025.86	SCREW DIN933	4
033	604.10045.86	SCREW DIN931	2
034	711.08000.66	NUT DIN982 M8	2
035	701.10000.66	NUT DIN934 M10x1.5	2

13. ACCESSORIES

ADJUSTABLE BRUSHES (2)

FIGURE	REFERENCE	DENOMINATION	AMOUNT
036	32.10121.00	HOSE CLAMP	4
037	46.04298.00	HOSE CLAMP Ø22	4
038	46.95299.00	ARM SUPPORT	1
039	70.08029.00	BUMPER	2
040	711.14000.66	NUT DIN982 M14 8.8 K	2
041	949.01420.00	CAP. DIN 1494 14X16X20	4
042A	46.95103.02	LEFT SUPPORT ARM	1
042B	46.95103.03	RIGHT SUPPORT ARM	1
043	901.06000.33	GREASER DIN71412-A	4
044	604.14090.86	SCREW DIN 931 M14x90	2
045	46.95145.01	AXLE D20X84	2

COMMENTS

MOD.5040

13. ACCESSORIES

ADJUSTABLE BRUSHES (3)



FIGURE	REFERENCE	DENOMINATION	AMOUNT
001	46.04298.00	HOSE CLAMP Ø22	3
002	46.10077.00	HYDRAULIC VALVE 3 WAYS	2
003	32.10121.00	HOSE CLAMP	1
004	42.70100.00	VALVE	3
005	604.06065.86	SCREW DIN931 M6X65	6
006	601.06035.86	SCREW DIN912	4
007	601.05025.86	SCREW DIN912 M5X25	2
008	46.60250.00	FITTING FORT TB/TB/TB	1

COMMENTS

MOD.5040

13. ACCESSORIES

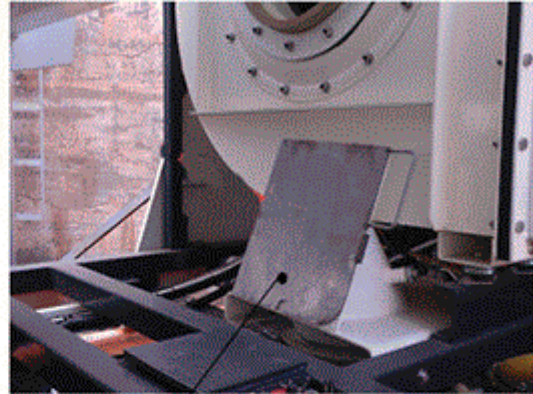
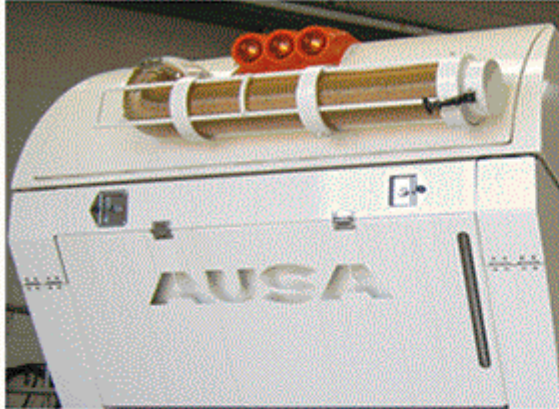
ASPIRATION SYSTEM MANUAL

CHASSIS: 77651

01

KIT TUBO ASPIRACIÓN / ASPIRATEUR TUBE KIT

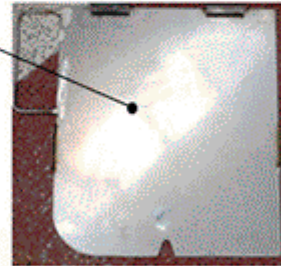
INCLUDE ALL PARTS OF THE IMAGE



02



03



04

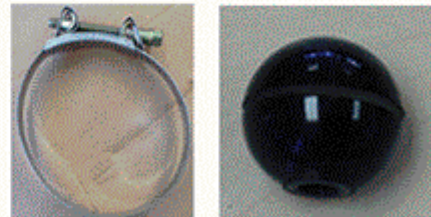


FIGURE	REFERENCE	DENOMINATION	AMOUNT
001	46.09809.02	ASPIRATION TUBE KIT	1
002	46.09818.00	SUCTION TUBE	1
003	46.09816.00	GUILLOTINE DOOR ASPIRATION	1
004	48.09366.00	RUBBER 30X390	1

13. ACCESSORIES

TRILATERAL CHASSIS

CHASSIS: 66596

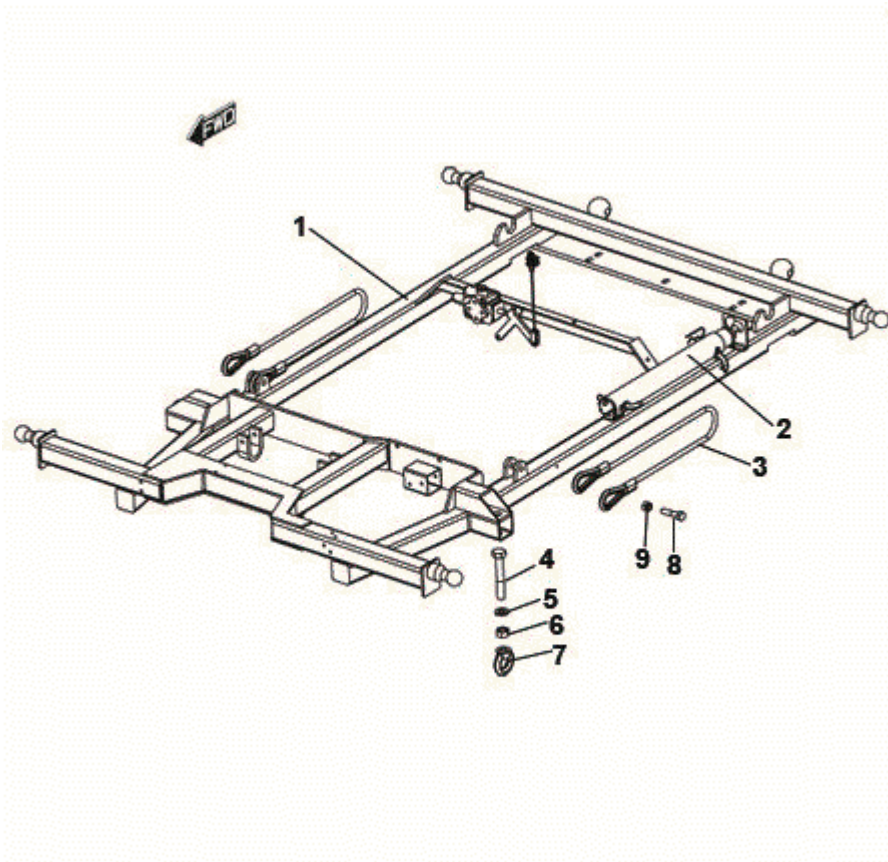


FIGURE	REFERENCE	DENOMINATION	AMOUNT
001	46.09471.05	SWEeper TRILATERAL CHASSIS	1
002	46.09670.01	security bar	1
003	46.09448.00	CABLE CHOKE	2
004	604.20130.00	screw DIN931 M20x130	2
005	101.20000.66	WASHER DIN125	2
006	701.20000.66	NUT	2
007	46.09484.00	HOOK	2
008	604.14060.86	SCREW DIN931	2
009	711.14000.66	NUT DIN982 M14 8.8 K	2

OPTION AND VARIANTS

WEED BRUSH



FIGURE	REFERENCE	DENOMINATION	AMOUNT
001	48.09750.00	WEED BRUSH	2

INDEX

03. TRANSMISSION

REAR AXLE (1)	2
REAR AXLE (2)	3
REAR AXLE (3)	4
REAR AXLE (4)	5
REAR AXLE (5)	6
REAR AXLE (6)	7
REAR AXLE (7)	8
FRONT AXLE (1)	9
FRONT AXLE (2)	10
FRONT AXLE (3)	11
FRONT AXLE (4)	12
FRONT AXLE (5)	13
FRONT AXLE (6)	14
FRONT AXLE (7)	15
FRONT AXLE (8)	16

04. CHASSIS

Chassis - 66596	17
RIGHT DRIVING CHASSIS - 70220	18
Front Suspension (Part 1) - 66596	19
Front Suspension (Part 2)	20
Front Suspension (Part 2) - 62620	21
Front Suspension (Part 2) - 71953	22

06. STEERING

STEERING (RIGHT DRIVING) - 70220	23
Drive Pinion - 66596	24

08. BODYWORK

Sheets	25
Sheets - 72323	26
Sheets - 82662	27
Lateral part cabin	28
Front side cabin	30
Rear part cabin	32
INTERIOR CABIN (RIGHT DRIVING)	33
INTERIOR CABIN (RIGHT DRIVING) - 82376	36
INTERIOR CABIN (RIGHT DRIVING) - 82376	39

INTERIOR CABIN (LEFT DRIVING)	42
INTERIOR CABIN (LEFT DRIVING) - 82376	45
INTERIOR CABIN (LEFT DRIVING) - 82376	48
CABIN ROOF (DRIVING RIGHT)	51
CABIN ROOF (DRIVING LEFT)	53

09. MACHINE FUNCTIONS

SUCTION TUBE (1)	55
SUCTION TUBE (1) - 66596	56
SUCTION TUBE (1) - 77651	57
SUCTION TUBE (2)	58
SUCTION TUBE (2) - 66596	59
SUCTION TUBE (2) - 77651	60
SUCTION TUBE (3)	61
SUCTION TUBE (3) - 66596	62
SUCTION TUBE (3) - 77651	63
	64
- 77651	65

09. MACHINE FUNCTIONS IMPLEMENTS

Front hook equipment - 66596	66
Front hook equipment (2) - 66596	67

09. MACHINE FUNCTIONS

front brushes (1) - 66596	68
Interior container k3 - 66596	69

09. MACHINE FUNCTIONS IMPLEMENTS

Skip lifting ram - 66596	70
--------------------------	----

09. MACHINE FUNCTIONS

RECIRCULATING WATER EQUIPMENT - 66596	71
---------------------------------------	----

10. HYDRAULIC INSTALLATION

TURBINE SCHEME	72
Transmission	73
Transmission - 65372	76
Hydrostatic pump - 67571	79
Hydrostatic pump - 70220	80

11. ELECTRIC INSTALLATION

Front work lights 81

13. ACCESSORIES

ADJUSTABLE BRUSHES (1) 82

ADJUSTABLE BRUSHES (2) 83

ADJUSTABLE BRUSHES (3) 85

ASPIRATION SYSTEM MANUAL - 77651 86

TRILATERAL CHASSIS - 66596 87

Option and variants

WEED BRUSH 88